

# TRIUMPH

## REPLACEMENT PARTS CATALOGUE No. 5

"C" RANGE MODELS  
TWENTY-ONE (3TA)  
SPEED TWIN (5TA)  
TIGER 90 (T90)  
TIGER 100 (T100 S/S)

from Engine No. H 32465

September 1963

TRIUMPH ENGINEERING COMPANY LIMITED  
MERIDEN WORKS · ALLESLEY · COVENTRY · ENGLAND  
TELEPHONE MERIDEN 331 TELEGRAMS "TRUSTY COVENTRY"

# TRIUMPH GUARANTEE

1. In this Guarantee the word "machine" refers to the motor cycle, scooter, motor-cycle combination or sidecar as the case may be, purchased by the Purchaser.
  2. In order to obtain the benefit of this Guarantee, the Purchaser must have correctly completed the registration form and returned it to us within fourteen days of the purchase.
  3. We will supply, free of charge, a new part in exchange for, or, if we consider repair sufficient, will repair free of charge any part proved within six months of the date of purchase of any new machine, (3 months overseas) or within three months of its renewal or repair in the case of a part already renewed or repaired, to be defective by reason of our faulty workmanship or materials. We do not undertake to bear the cost of fitting such new or repaired part or accessory.
  4. Any part considered to be defective must be sent to our Works, carriage paid, accompanied by the following information:—
    - (a) Name of purchaser and his address;
    - (b) Date of purchase of machine;
    - (c) Name of dealer from whom the purchase was made;
    - (d) Engine number and model
  5. This Guarantee shall not extend to defect or damage appearing after misuse, neglect, abnormal stress or strain, or the incorporation or affixing of unsuitable attachments or parts and in particular:—
    - (a) Hiring out;
    - (b) Racing and Competitions;
    - (c) Adaptation or alteration of any part or parts after leaving our Works;
    - (d) The attaching of a sidecar in a manner not approved by us or to an unsuitable motor-cycle.
- This Guarantee shall not extend to machines whose trade mark, name or manufacturing number has been altered or removed, or in which has been used any part not supplied or approved by us, or to tyres, saddles, chains, speedometers, revolution counters and electrical equipment or to parts supplied to the order of the Purchaser and different from our standard specification.
6. Our liability and that of our dealer who sells the machine, shall be limited to that set out in this guarantee, and no other claims for consequential damage or injury to person or property, shall be admissible. All other conditions and warranties statutory or otherwise and whether express or implied are hereby excluded and no guarantee other than that expressly herein contained applies to the machine to which this Guarantee relates or any accessory or part thereof.
  7. We reserve the right to modify or deviate from the Published Specification without notice.

## REPAIRS GUARANTEE

1. Whilst the highest standard of workmanship and materials is aimed at, we cannot accept liability for any defects appearing more than three months after the machine, assembly or component has left our Works after being repaired.
2. We will repair or replace at our option free of charge any defective work, materials or parts relating to the repairs carried out by us appearing within that time but shall not be under any further, or other liability for any other loss or damage whether direct or consequential and our liability shall be limited to the cost of so making good. We do not undertake to bear the cost of fitting any replacement or repaired part.
3. We do not accept liability in respect of parts of proprietary manufacture, e.g. tyres, saddles, chains speedometers, revolution counters and electrical equipment which may be used by us in effecting a repair. All other conditions and warranties statutory or otherwise express or implied are hereby excluded.

# TRIUMPH SPARES

**HOW TO ORDER.** Every part is indicated by number, and this should be quoted together with the description. In order to assist customers, dimensions have been given in many cases where parts are similar. Parts where possible have been listed in order of assembly and a number of the illustrations show the assembly order also. With these aids there should be no difficulty in identifying the parts you require. **Always head your order with the engine number, stamped on the left side of the crank case underneath the cylinder flange, together with the prefix letters.**

**WHERE TO OBTAIN.** Triumph Spare Parts can only be obtained from an authorised Triumph Dealer, and we recommend our customers to place their orders with the Triumph Dealer in their district. When parts not usually asked for are required, and for which the Dealer may have to write or obtain specially, the postage or carriage incurred becomes payable.

**Triumph Spares are not supplied to private owners direct from the factory. If difficulty is experienced in obtaining the required parts, the matter should be taken up directly with the Triumph Spares Department.**

Customers are warned against the risk incurred by purchasing parts that are not of genuine Triumph manufacture. This risk is eliminated if parts are ordered as instructed from recognised Dealers.

**PATTERNS AND PARTS FOR REPAIR.** It is not necessary to send patterns if the part number is quoted. The sending of patterns often delays the order as parcel post or rail takes longer than letter post.

Parts sent to Coventry for repair, replacement, or as patterns should bear the sender's name and address and clear instructions should accompany the parts. In your own interest send a copy of the advice note under separate cover. All parts must be forwarded carriage paid and care should be taken to ensure that all remittances are sent separately and not enclosed with the parts. Fragile units such as cylinders, etc., should always be boxed to avoid damage in transit. Complete machines should have all fitments such as windscreens, driving mirrors, tools, etc., removed by the sender before despatch, as it is impossible for us to accept responsibility in the event of loss in transit. We are always pleased to give estimates for overhauling and repairs, but should an estimate not be accepted, a charge will be made covering cost of dismantling and re-assembling, if carried out.

Communications relating to Parts should be addressed to the SPARES DEPARTMENT and for repairs, guarantee claims and technical advice to the SERVICE DEPARTMENT, Triumph Engineering Co. Ltd., Meriden Works, Allesley, Coventry. In order to facilitate quick reference, the quoting of any number, invoice number or reference from previous communications is essential. Accessories not of our manufacture should be sent direct to the actual makers, whose names and addresses appear below.

## PROPRIETARY GROUP

Ancillary equipment which is fitted to our motor cycles is of the highest quality and is guaranteed by the manufacturer and not by ourselves. Any repairs or claims should be made to the actual makers or their local agents who will always give owners every possible assistance. The following are the addresses of the various manufacturers:—

### CARBURETTORS

Messrs. Amal Ltd.,  
Holdford Rd., Witton, Birmingham 6.

### CHAINS

Renold Chains Ltd.,  
Wythenshawe, Manchester.

### ELECTRICAL EQUIPMENT

Messrs J. Lucas Ltd.,  
Gt. Hampton St., Birmingham, 18.

### TYRES

Dunlop Rubber Co. Ltd.,  
Fort Dunlop,  
Birmingham, 24.

### SPARKING PLUGS

Champion Sparking Plug Co. Ltd.,  
Feltham, Middlesex.

### SPEEDOMETERS

Messrs. Smiths Motor Accessories Ltd.,  
Cricklewood Works, London, N.W.2.

### SUSPENSION UNITS

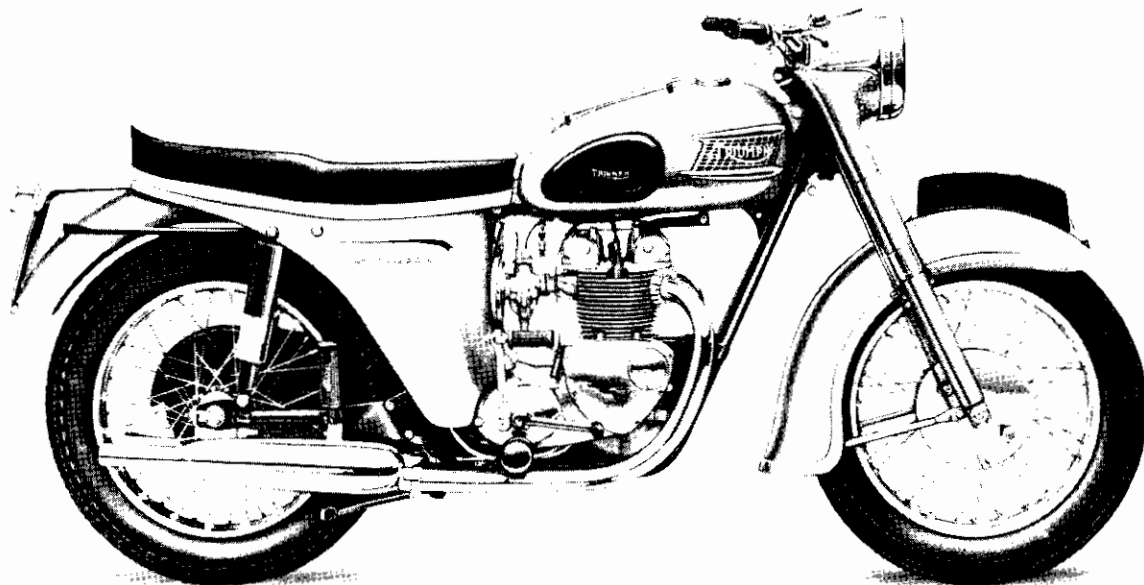
Messrs. Girling Ltd.,  
Kings Road, Tyseley, Birmingham, 11.

# ILLUSTRATION INDEX

<i>Fig. No.</i>	<i>Description</i>	<i>Page No.</i>
1	CRANKSHAFT AND CONNECTING RODS ... ..	12
2	CRANKCASE ... ..	14
3	OIL PUMP, RELEASE VALVE AND INLET MANIFOLD ... ..	16
4	CYLINDER BLOCK AND HEAD, 3TA AND T90 ... ..	18, 20
5	CYLINDER BLOCK AND HEAD 5TA AND T100SS ... ..	22
6	TIMING COVER, CONTACT BREAKER AND COILS ... ..	24
7	GEARBOX SHAFTS, BEARINGS AND INNER COVER ... ..	26
8	GEARBOX OUTER COVER AND LEVERS ... ..	28
9	CLUTCH ... ..	30
10	CHAINCASE AND CHAINS ... ..	32
11	ENGINE FITTINGS AND EXHAUST SYSTEM ... ..	34
12	FRAME ... ..	36
13	SWINGING FORK, SUSPENSION UNITS AND CHAINGUARD ... ..	38
14	TELESCOPIC FRONT FORK, 3TA AND 5TA ... ..	40
15	NACELLE, HEADLAMP AND SWITCHES ... ..	42
16	TELESCOPIC FRONT FORK, T90 AND T100SS ... ..	44
17	FRONT WHEEL ... ..	46
18	REAR WHEEL ... ..	48
19	QUICKLY DETACHABLE REAR WHEEL ... ..	50
20	MUDGUARDS ... ..	52
21	PANELS AND TWINSEAT ... ..	54
22	PETROL AND OIL TANKS ... ..	56
23	BATTERY, TOOLKIT AND AIR FILTER ... ..	58
24	HANDLEBARS AND CONTROL LEVERS ... ..	60
25	CONTROL CABLES ... ..	62
26	CARBURETTER, 3TA AND 5TA ... ..	64
27	CARBURETTER, T90 AND T100SS ... ..	66
28	T90 AND T100SS HEADLAMP, WIRING HARNESS AND SWITCHES ... ..	68
29	SPEEDOMETER, TACHOMETER AND TAIL LAMP ... ..	70

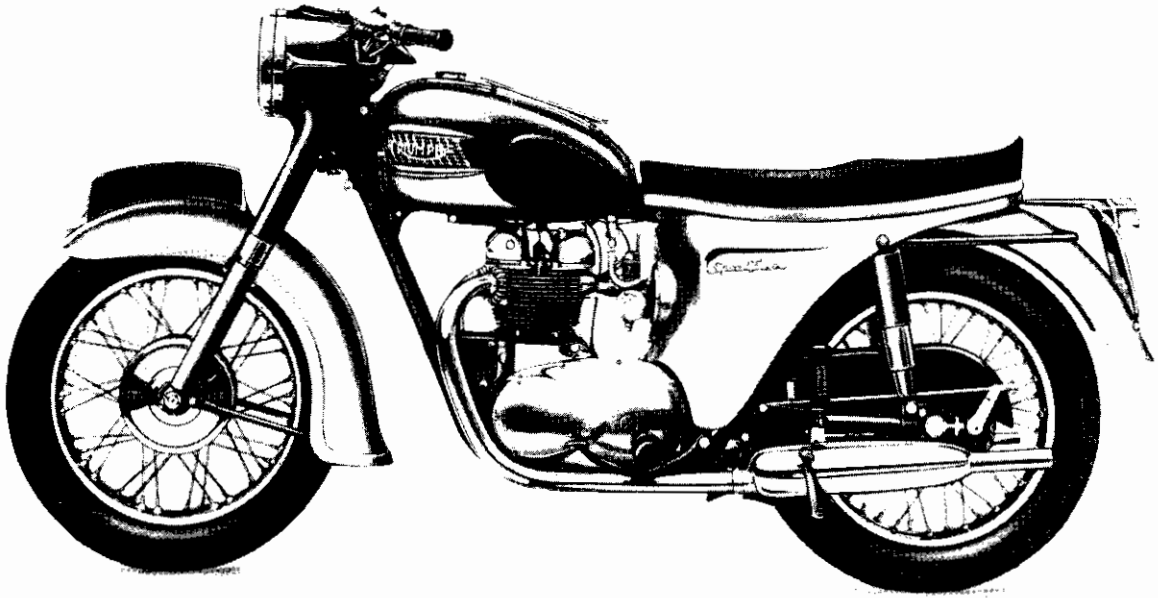
# INDEX

	<i>Page</i>		<i>Page</i>
AIR FILTER ... ..	59	MANIFOLD ... ..	17
ALTERNATOR ... ..	13	MUDGUARDS ... ..	53
BATTERY CARRIER ... ..	59	NACELLE ... ..	43
CARBURETTER ... ..	65, 67	OIL PUMP ... ..	17
CARTON PACKS ... ..	10	OIL TANK ... ..	57
CENTRE STAND ... ..	37	PETROL TANK ... ..	57
CHAINCASE ... ..	33	PILLION FOOTRESTS ... ..	37
CHAINS ... ..	33	PISTONS ... ..	13
CLUTCH ... ..	31	PROP STAND ... ..	37
COIL ... ..	25	Q.D. REAR WHEEL ... ..	51
CONTACT BREAKER ... ..	25	REAR PANELS ... ..	55
CONTROL CABLES ... ..	63	REAR WHEEL ... ..	49
CONTROL LEVERS ... ..	61	RECTIFIER ... ..	43, 69
CRANKCASE ... ..	15	SILENCERS ... ..	35
CRANKSHAFT ... ..	13	SPARK PLUGS ... ..	25
CYLINDER HEAD ... ..	19, 23	SPEEDOMETER ... ..	71
ENGINE PLATES ... ..	35	STEERING RACES ... ..	37
EXHAUST PIPES ... ..	35	SUSPENSION UNITS ... ..	39
FOOTRESTS ... ..	37	SWITCHES ... ..	43
FRONT FORKS ... ..	41, 45	TIMING GEARS ... ..	13
FRONT WHEEL ... ..	47	TOOLKIT ... ..	59
GASKET SETS ... ..	11	TWINSEAT ... ..	55
GEARBOX ... ..	27, 29	VALVES ... ..	19, 23
HANDLEBARS ... ..	61	WIRING HARNESS ... ..	43, 69
HORN ... ..	43		



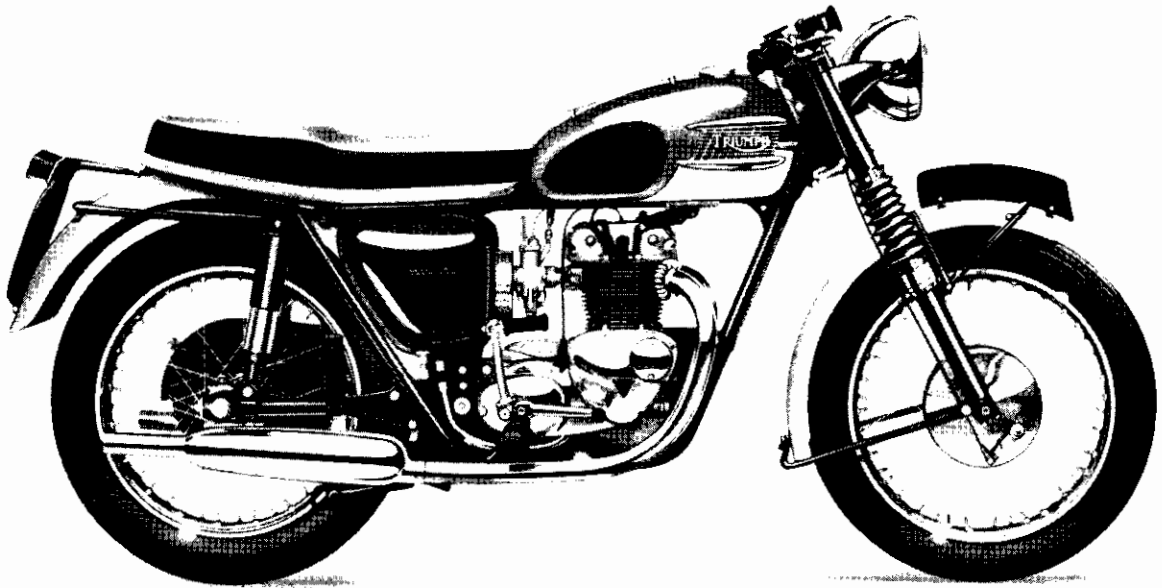
### TWENTY-ONE (3TA) TECHNICAL DATA

Bore and stroke		58.25 x 65.5 mm. 2.292 in. x 2.578 ins.
Capacity		348 c.c. (21.23 cu. ins.).
Compression Ratio		7.5 : 1
Sparking Plugs		Champion N4
Carburetter		Amal Monobloc 375
	Main Jet	100
	Needle Jet	.106
	Needle	Type B
	Throttle Valve	375/3½
	Pilot Jet	25
Gearbox Sprocket		19 teeth
Chains	Front	¾ in. Duplex x 78 links
	Rear	⅝ in. x ⅜ in. x 103 links
Capacities	Fuel Tank	3½ galls. (16 litres)
	Oil Tank	5 pints (2.8 litres)
	Gearbox	⅔ pint (375 c.c.)
	Primary Chaincase	½ pint (300 c.c.)
	Front Forks (each leg)	⅓ pint (190 c.c.)
Brakes	Front and Rear, diameter	7 in. (17.78 cm.)
Tyre Size	Front	3.25 x 17
	Rear	3.25 x 17



### SPEED TWIN (5TA) TECHNICAL DATA

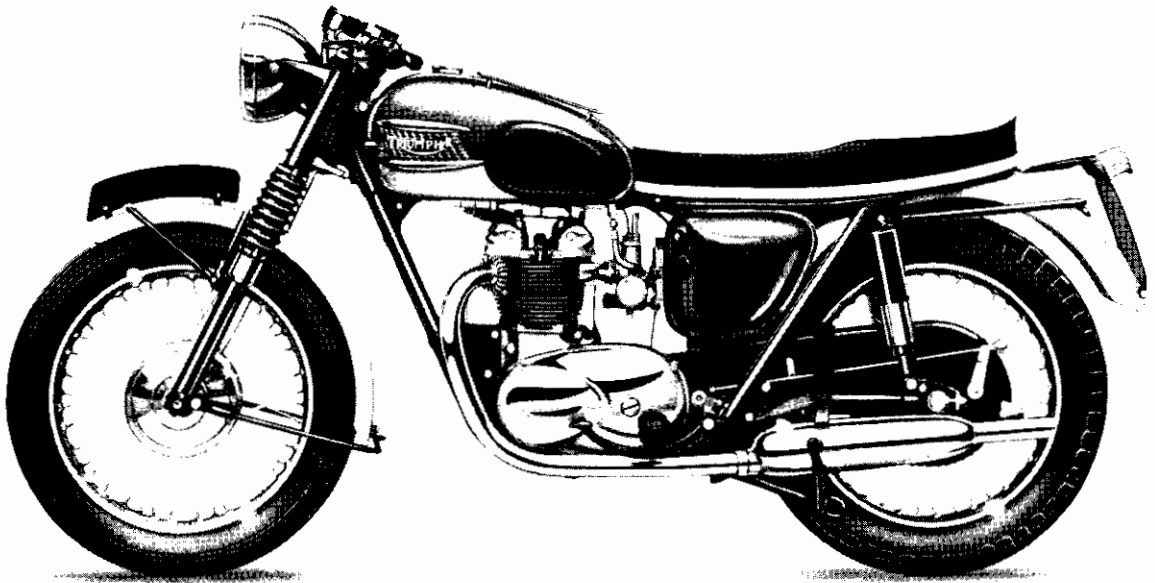
Bore and Stroke		69 x 65.5 mm. 2.716 x 2.578 ins.
Capacity		490 c.c. (29.8 cu. ins.)
Compression Ratio		7 : 1
Sparking Plugs		Champion N4
Carburetter		Amal Monobloc 375
	Main Jet	160
	Needle Jet	.105
	Needle	Type B
	Throttle Valve	375/3
	Pilot Jet	25
Gearbox Sprocket		20 teeth
Chains	Front	$\frac{3}{8}$ in. Duplex x 78 links
	Rear	$\frac{5}{8}$ in. x $\frac{3}{8}$ in. x 103 links
Capacities	Fuel Tank	3½ galls. (16 litres)
	Oil Tank	5 pints (2.8 litres)
	Gearbox	2/3 pint (375 c.c.)
	Primary Chaincase	½ pint (300 c.c.)
	Front Forks (each leg)	$\frac{1}{8}$ pint (190 c.c.)
Brakes	Front and Rear, diameter	7 in. (17.78 cm.)
Tyre Size	Front	3.25 x 17
	Rear	3.50 x 17



### TIGER 90 (T90) TECHNICAL DATA

Bore and Stroke		58.25 x 65.5 mm. 2.292 x 2.578 ins.
Capacity		348 c.c. (21.23 cu. ins.)
Compression Ratio		9 : 1
Sparking Plugs		Champion N4
Carburetter		Amal Monobloc
	Main Jet	180
	Needle Jet	.106
	Needle	Type C
	Throttle Valve	376/3½
	Pilot Jet	20
Gearbox Sprocket		17 teeth
Chains	Front	¾ in. Duplex x 78 links
	Rear	¾ in. x ¾ in. x 102 links
Capacities	Fuel Tank	3½ galls. (16 litres)
	Oil Tank	5 pints (2.8 litres)
	Gearbox	2/3 pint (375 c.c.)
	Primary Chaincase	½ pint (300 c.c.)
	Front Forks (each leg)	¼ pint (190 c.c.)
Brakes	Front and Rear, diameter	7 in. (17.78 cm.)
Tyre Size	Front	3.25 x 18
	Rear	3.50 x 18





### TIGER 100 (T100SS) TECHNICAL DATA

Bore and Stroke		69 x 65.5 mm. 2.716 x 2.578 ins.
Capacity		490 c.c. (29.8 cu. ins.)
Compression Ratio		9 : 1
Sparking Plugs		Champion N4
Carburettor		Amal Monobloc
	Main Jet	190
	Needle Jet	.106
	Needle	Type C
	Throttle Valve	376/3½
	Pilot Jet	25
Gearbox Sprocket		18 teeth
Chains	Front	¾ in. Duplex x 78 links
	Rear	¾ in. x ¾ in. x 102 links
Capacities	Fuel Tank	3½ galls. (16 litres)
	Oil Tank	5 pints (2.8 litres)
	Gearbox	2/3 pint (375 c.c.)
	Primary Chaincase	½ pint (300 c.c.)
	Front Forks (each leg)	⅓ pint (190 c.c.)
Brakes	Front and Rear, diameter	7 in. (17.18 cm.)
Tyre Size	Front	3.25 x 18
	Rear	3.50 x 18

# CARTON PACK LIST

The following sub-assemblies are supplied in carton packs under the C.P. part number stated. The contents of these carton packs are preserved and will not deteriorate under adverse conditions.

Part No.			Contents
<b>Brake Lining</b>			
CP 38/AM2	2	NW243	Brake Lining
	16	W129	Rivet
<b>Steering Races</b>			
C.P. 167	1	H1110	Cone
	1	H1140	Cone and dust cover
	2	H1130	Cup
	48	S70-4	Steel balls (3/16 in. diam.)
<b>Pistons (350 c.c.)</b>			
C.P. 164	1	E3689	Piston C.R. 7.5 : 1
	1	E3691	Compression ring (plain)
	1	E3690	Compression ring (taper)
	1	E3692	Oil control ring
	1	E1750	Gudgeon pin
	2	E1767	Circlips
C.P. 164 is also available in 0.010 in., 0.020 in. and 0.040 in. oversizes.			
C.P. 198	1	E4670	Piston C.R. 9 : 1
	2	E3690	Compression ring (taper)
	1	E3692	Oil control ring
	1	E1750	Gudgeon pin
	2	E1767	Circlips
C.P. 198 is also available in 0.010 in., 0.020 in. and 0.040 in. oversizes.			
<b>Piston Rings (350 c.c.)</b>			
C.P. 165	2	E3691	Compression ring (plain)
	2	E3690	Compression ring (taper)
	2	E3692	Oil control ring
C.P. 165 is also available in 0.010 in., 0.020 in. and 0.040 in. oversizes.			
<b>Pistons (500 c.c.)</b>			
C.P. 174	1	E4004	Piston C.R. 7 : 1
	2	E3829	Compression ring (taper)
	1	E3831	Oil control ring
	1	WE203E	Gudgeon pin
	2	WE479	Circlips
C.P. 174 is also available in 0.010 in. and 0.020 in. oversizes.			
C.P. 179	1	E4021	Piston C.R. 9 : 1
	2	E3829	Compression ring (taper)
	1	E3831	Oil control ring
	1	WE203E	Gudgeon pin
	2	WE479	Circlips
C.P. 179 is also available in 0.010 in. and 0.020 in. oversizes.			
<b>Piston Rings (500 c.c.)</b>			
C.P. 175	4	E3829	Compression ring (taper)
	2	E3831	Oil control ring
C.P. 175 is also available in 0.010 in. and 0.020 in. oversizes.			

# CARTON PACK LIST—continued

Part No.		Contents
C.P. 180	4 E4135 2 E4136	Compression ring (taper) Oil control rings
C.P. 180 can only be fitted to E4021 Piston body, and should only be used for high-performance work.		
<b>Valve Guides</b>		
C.P. 170	4 E3208 4 E3209	Valve guides Valve guides circlip
<b>Valves (3TA)</b>		
C.P. 166	2 E3738 2 E3739	Inlet valve Exhaust valve
<b>Valve Springs (3TA)</b>		
C.P. 171	4 E3942 4 E3741	Inner valve spring Outer valve spring
<b>Valves (500 c.c.)</b>		
C.P. 176	2 E4012 2 E4013	Inlet valve Exhaust valve
<b>Valve Springs (T90 &amp;500 c.c.)</b>		
C.P. 177	4 E4010 4 E4011	Inner valve spring Outer valve spring
<hr/>		
De-coke Gasket Set	All models	D/GS 6

## PLEASE NOTE

THROUGHOUT THIS LIST, ASSEMBLIES ARE PRINTED IN CAPITALS AND THE COMPONENTS INCLUDED IN THAT ASSEMBLY ARE INDENTED IN THE DESCRIPTION COLUMN, REVERTING TO THE ORIGINAL ALIGNMENT WHEN THE ASSEMBLY IS COMPLETE. TO ORDER THE COMPLETE ASSEMBLY IT IS NECESSARY ONLY TO QUOTE THE ASSEMBLY NUMBER. ANY COMPONENT PARTS LISTED MAY ALSO BE OBTAINED SEPARATELY IF REQUIRED.

## SPECIAL WORKSHOP TOOLS

A COMPLETE LIST OF WORKSHOP TOOLS CAN BE MADE AVAILABLE BY EITHER CONTACTING YOUR DEALER OR APPLYING DIRECT TO THE TRIUMPH SERVICE DEPARTMENT. IN MOST CASES THESE TOOLS ARE VERY COSTLY AS THEY ARE MADE ENTIRELY FOR WORKSHOP USE, AND THEREFORE, IT IS NOT RECOMMENDED THAT THE PRIVATE OWNER PURCHASES THE TOOLS IN ORDER TO AID SERVICING THE MACHINE ONCE OR TWICE ONLY. IN THESE CIRCUMSTANCES IT IS FAR MORE ECONOMICAL TO GET IN TOUCH WITH A RECOGNISED DEALER.

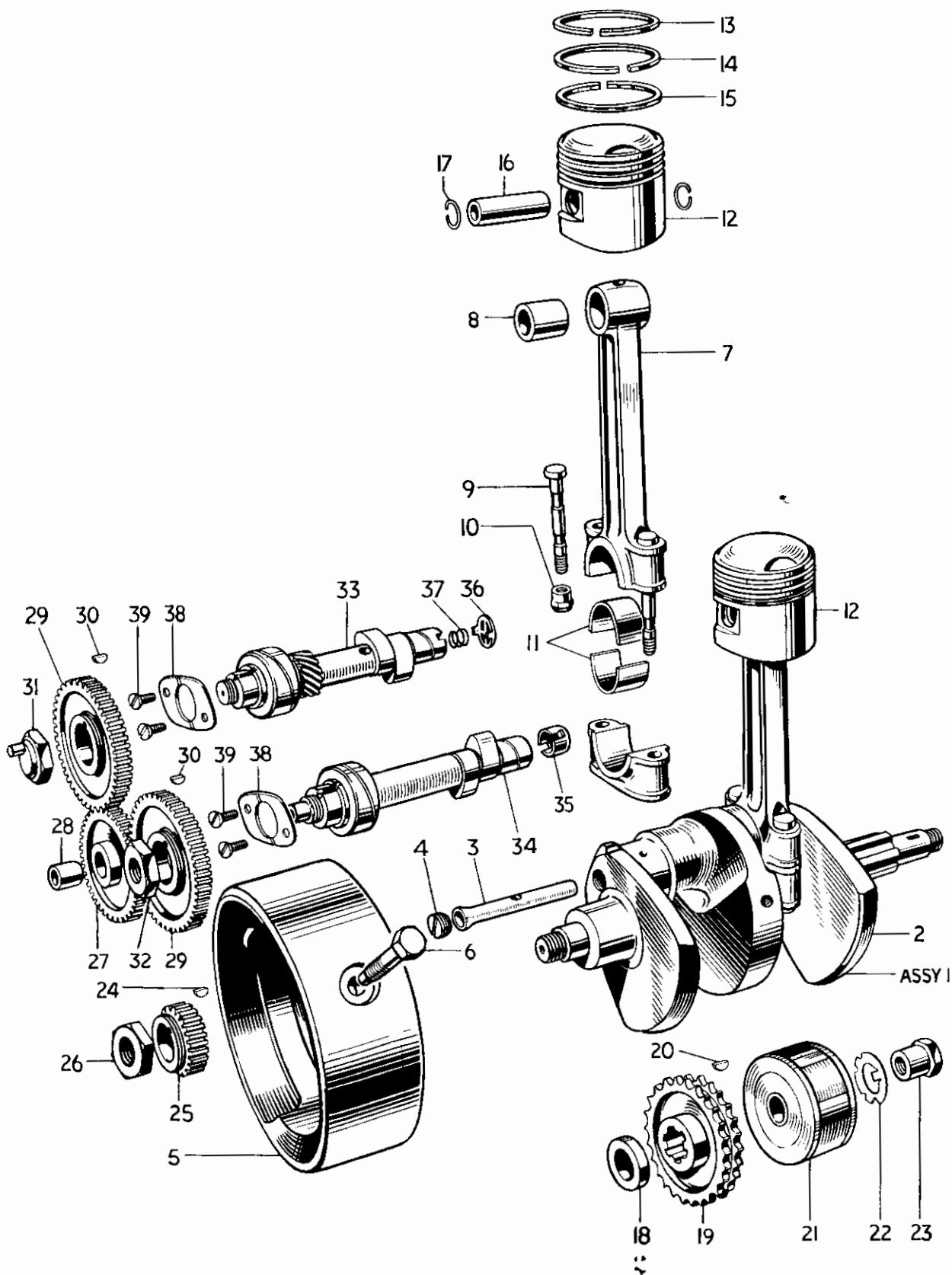


Fig. 1. CRANKSHAFT AND CONNECTING RODS

## CRANKSHAFT AND CONNECTING RODS

Ref. No.	Part No.	DESCRIPTION	3TA	5TA	T90	T100SS
1	E3996	CRANKSHAFT AND FLYWHEEL ASSEMBLY ...	1	1	1	1
2	E3998	Crankshaft ...	1	1	1	1
3	E3999	Oil tube ...	1	1	1	1
4	E3711	Screwed plug ...	1	1	1	1
5	E3712	Flywheel ...	1	1	1	1
6	*E3713	Flywheel bolt ...	3	3	3	3
7	E3702	CONNECTING ROD ...	2	-	2	-
7	E4001	CONNECTING ROD... ...	-	2	-	2
8	E1762	Small end bush ...	2	-	2	-
8	E4403	Small end bush ...	-	2	-	2
9	E3705	Connecting rod bolt ...	2	2	2	2
10	E2922	Self-locking nut ...	2	2	2	2
11	E3706	Big end bearing ...	4	4	4	4
12	CP 164	PISTON COMPLETE C.R. 7.5:1 ...	2	-	-	-
12	CP 174	PISTON COMPLETE C.R. 7:1 ...	-	2	-	-
12	CP 198	PISTON COMPLETE C.R. 9:1 ...	-	-	2	-
12	CP 179	PISTON COMPLETE C.R. 9:1 ...	-	-	-	2
13	E3691	Plain compression ring ...	2	-	-	-
13	E3829	Taper compression ring ...	-	2	-	2
14	E3690	Taper compression ring ...	2	-	4	-
14	E3829	Taper compression ring ...	-	2	-	2
15	E3692	Oil control ring ...	2	-	2	-
15	E3831	Oil control ring ...	-	2	-	2
16	E1750	Gudgeon pin ...	2	-	2	-
16	WE 203E	Gudgeon pin ...	-	2	-	2
17	E1767	Circlip ...	4	-	2	-
17	WE 479	Circlip ...	-	4	-	4
18	E4006	Distance collar ...	1	1	1	1
19	E4141	Engine sprocket, 26T Duplex ...	1	1	1	1
20	E3851	Rotor key ...	1	1	1	1
21	54213901	Rotor, type RM 19 ...	1	1	1	1
22	E3975	Tab washer ...	1	1	1	1
23	E3735	Nut ...	1	1	1	1
24	E1580	Key ...	1	1	1	1
25	E1771	Timing pinion ...	1	1	1	1
26	E398	Nut ...	1	1	1	1
27	E2202	INTERMEDIATE WHEEL ...	1	1	1	1
28	E400	Bush ...	1	1	1	1
29	E1486A	Camshaft wheel... ...	2	2	2	2
30	E1558	Camshaft key ...	2	2	2	2
31	E1463	Inlet camshaft nut ...	1	1	1	1
32	E4563	Exhaust camshaft nut ...	1	1	1	1
33	E3838	Inlet camshaft ...	1	1	-	-
33	E4678	Inlet camshaft ...	-	-	1	1
34	E5341	Exhaust camshaft ...	1	1	-	-
34	E4786	EXHAUST CAMSHAFT ...	-	-	1	1
35	E4700	Tachometer drive thimble ...	-	-	1	1
36	E5316	Rotary breather valve ...	1	1	1	1
37	E2256	Breather valve spring ...	1	1	1	1
38	E3727	Retaining plate ...	2	2	2	2
39	E3728	Screw (15/32 in. U.H.) ...	4	4	4	4

\*Use D524 Loctite sealant

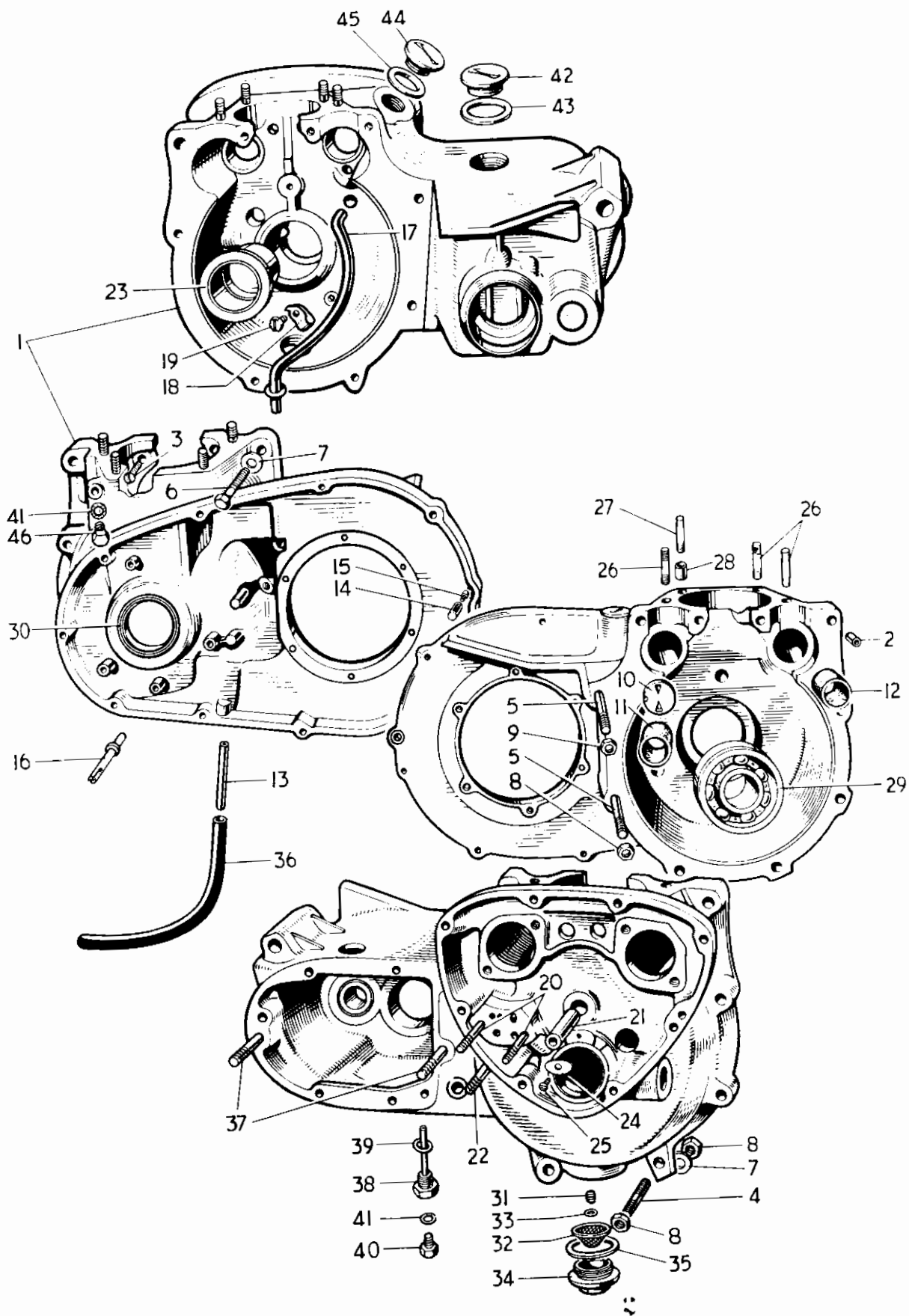


Fig 2. CRANKCASE

3  
**CRANKCASE**

								3TA	5TA	T90	T100SS
1	E4005/4645	CRANKCASE c/w STUDS AND RIGHT MAIN BEARING						1	1	1	1
2	E3716	Hollow dowel ... ..						1	1	1	1
3	E3859	Screw (21/32 in. U.H.) ... ..						2	2	2	2
4	E3804	Stud (3 in. O.A.) ... ..						1	1	1	1
5	E3803	Stud (3 $\frac{3}{4}$ in. U.H.) ... ..						2	2	2	2
6	E3799	Bolt (1 $\frac{5}{8}$ in. U.H.) ... ..						1	1	1	1
7	S25-3	Plain washer ... ..						3	3	3	3
8	S1-51	Nut ... ..						3	3	3	3
9	E1310	Nut ... ..						1	1	1	1
10	E3822	Breather disc ... ..						1	1	1	1
11	E3824	Inlet camshaft bush ... ..						1	1	1	1
12	E3823	Exhaust camshaft bush ... ..						1	1	1	1
13	E2724	Breather pipe ... ..						1	1	1	1
14	E3884	Chain oiler tube ... ..						1	1	1	1
15	E3885	Chain oiler jet ... ..						1	1	1	1
16	E4147	Chain tensioner abutment ... ..						1	1	1	1
17	E3719	Oil scavenge pipe ... ..						1	1	1	1
18	E1509	Clip ... ..						1	1	1	1
19	E1645	Screw (17/64 in. U.H.) ... ..						1	1	1	1
20	E3718	Oil pump stud (1 $\frac{5}{16}$ in. O.A.) ... ..						2	2	2	2
21	E375	Intermediate wheel spindle ... ..						1	1	1	1
22	E3717	Oil pipes stud (1 $\frac{1}{2}$ in. O.A.) ... ..						1	1	1	1
23	E4322	Right main bearing ... ..						1	1	1	1
24	E4139	Locating plate ... ..						1	1	1	1
25	E4140	Self-tapping screw ... ..						1	1	1	1
26	E3820	Cylinder stud (1 $\frac{1}{2}$ in. O.A.) ... ..						6	6	6	6
27	E3819	Cylinder stud (1 $\frac{1}{4}$ in. O.A.) ... ..						2	2	2	2
28	E1534A	Dowel ... ..						2	2	2	2
29	E3835	Left main bearing (Ball-journal) ... ..						1	1	1	1
30	E3876	Oil seal ... ..						1	1	1	1
31	E3724	Filter spring ... ..						1	1	1	1
32	E3722	Filter ... ..						1	1	1	1
33	E3723	Sealing washer ... ..						1	1	1	1
34	E1564	Filter cap ... ..						1	1	1	1
35	E1577	Joint washer ... ..						1	1	1	1
36	E3078	Breather extension rubber pipe ... ..						1	1	1	1
37	T1399	Stud (3 $\frac{1}{16}$ in. O.A.) ... ..						2	2	2	2
38	T1112	Drain plug (with level tube) ... ..						1	1	1	1
39	WE 170	Fibre washer ... ..						1	1	1	1
40	T361	Level plug ... ..						1	1	1	1
41	T1257	Fibre washer ... ..						2	2	2	2
42	E732	Filler plug ... ..						2	2	2	2
43	NE507	Fibre washer ... ..						2	2	2	2
44	E4587	Distributor hole plug ... ..						1	1	1	1
45	E4593	Fibre washer ... ..						1	1	1	1
46	E4706	Tachometer drive plug ... ..						1	1	1	1

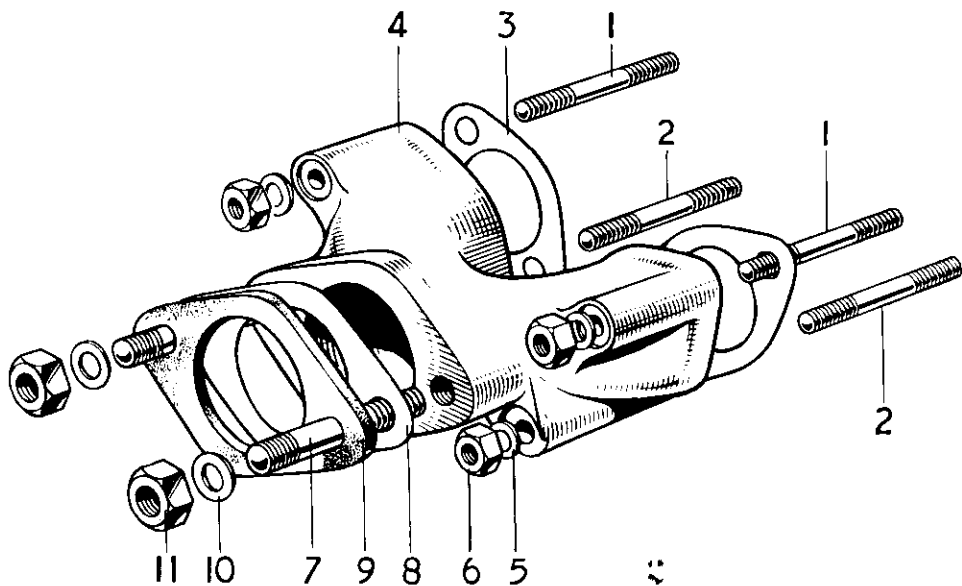
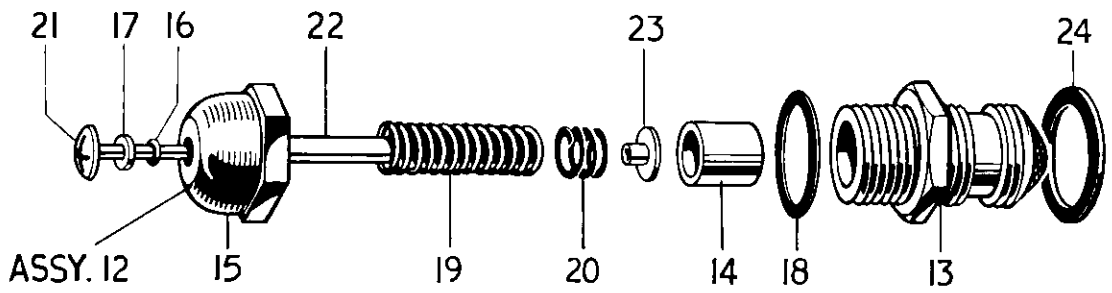
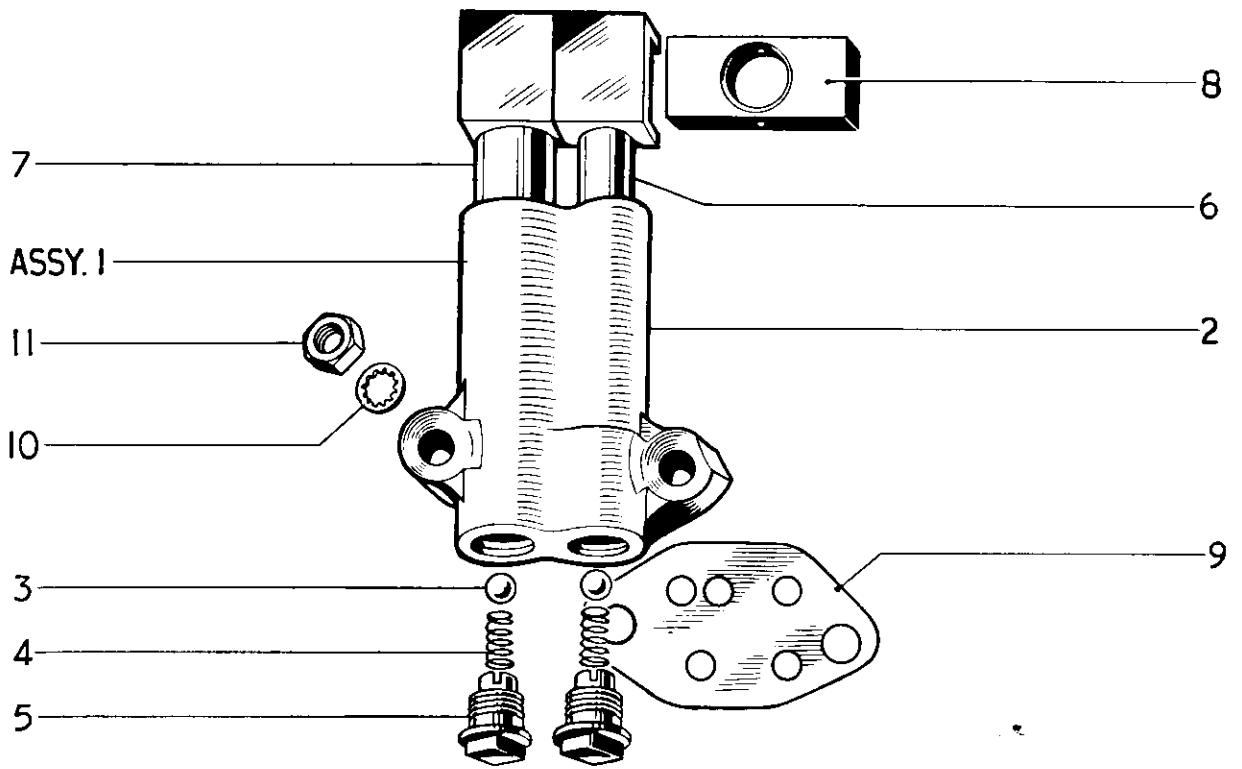


Fig. 3. OIL PUMP, RELEASE VALVE AND INLET MANIFOLD



## OIL PUMP AND RELEASE VALVE

									3TA	5TA	T90	T100SS
1	E3878	OIL PUMP	...	...	...	...	...	...	1	1	1	1
2	E3731	Pump body...	...	...	...	...	...	...	1	1	1	1
3	S70-7	Valve ball	...	...	...	...	...	...	2	2	2	2
4	E403	Valve spring	...	...	...	...	...	...	2	2	2	2
5	E2360	Screwed plug	...	...	...	...	...	...	2	2	2	2
6	GS153	Feed plunger	...	...	...	...	...	...	1	1	1	1
7	E1476	Scavenge plunger	...	...	...	...	...	...	1	1	1	1
8	E495	Drive block	...	...	...	...	...	...	1	1	1	1
9	E3730	Joint washer	...	...	...	...	...	...	1	1	1	1
10	E3887	Serrated washer	...	...	...	...	...	...	2	2	2	2
11	E3732	Nut	...	...	...	...	...	...	2	2	2	2
12	E4191	OIL RELEASE VALVE AND INDICATOR...	...	...	...	...	...	...	1	1	1	1
13	E2794	Valve body	...	...	...	...	...	...	1	1	1	1
14	GS251	Piston	...	...	...	...	...	...	1	1	1	1
15	E4192	Cap	...	...	...	...	...	...	1	1	1	1
16	E4193	Sealing ring	...	...	...	...	...	...	1	1	1	1
17	E4194	Cup	...	...	...	...	...	...	1	1	1	1
18	GS254	Fibre washer	...	...	...	...	...	...	1	1	1	1
19	E2788	Main spring	...	...	...	...	...	...	1	1	1	1
20	E2789	Auxiliary spring	...	...	...	...	...	...	1	1	1	1
21	E2791	Button and shaft	...	...	...	...	...	...	1	1	1	1
22	E2793	Sealing rubber	...	...	...	...	...	...	1	1	1	1
23	E2792	Shaft nut	...	...	...	...	...	...	1	1	1	1
24	E1670	Fibre washer	...	...	...	...	...	...	1	1	1	1

## INLET MANIFOLD

1	E3796	Stud (1 17/32 in. O.A.)	...	...	...	...	...	...	2	2	2	2
2	E3797	Stud (2 in. O.A.)	...	...	...	...	...	...	2	2	2	2
3	E2967	Joint washer	...	...	...	...	...	...	2	2	2	2
4	E4014	Inlet manifold	...	...	...	...	...	...	1	1	-	1
4	E4689	Inlet manifold	...	...	...	...	...	...	-	-	1	-
5	S25-13	Plain washer	...	...	...	...	...	...	4	4	4	4
6	W103	Nut	...	...	...	...	...	...	4	4	4	4
7	E3880	Stud (1 1/4 in. O.A.)	...	...	...	...	...	...	2	2	2	2
8	NA 43	Joint washer	...	...	...	...	...	...	1	1	-	-
8	NA 43A	Joint washer	...	...	...	...	...	...	-	-	1	1
9	E3834	Insulating block	...	...	...	...	...	...	1	1	-	-
9	E4504	Insulating block	...	...	...	...	...	...	-	-	1	-
9	E2968	Insulating block	...	...	...	...	...	...	-	-	-	1
10	S25-3	Plain washer	...	...	...	...	...	...	2	2	2	2
11	S1-51	Nut	...	...	...	...	...	...	2	2	2	2

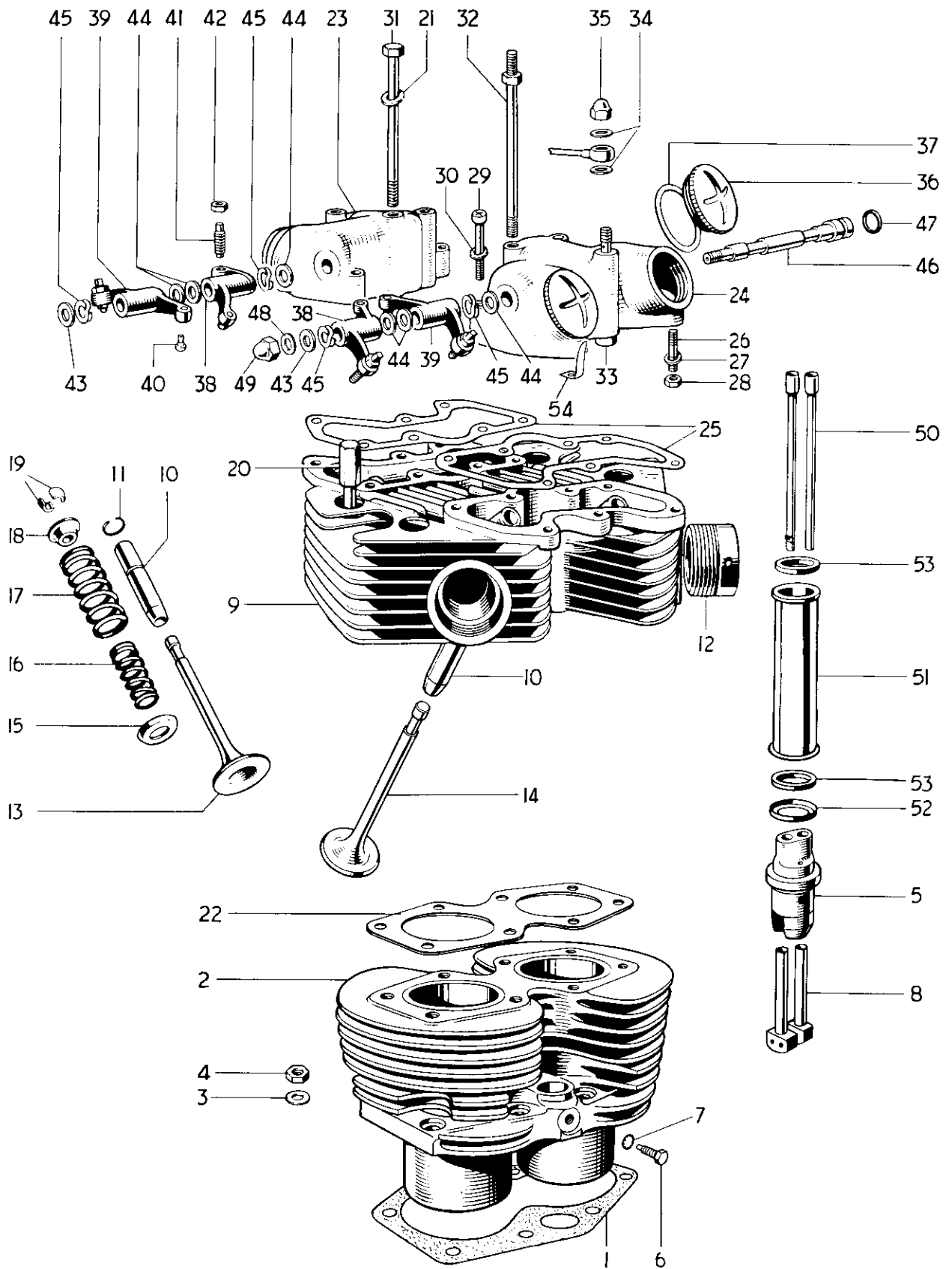


Fig. 4. CYLINDER BLOCK AND HEAD, 3TA AND T90

## CYLINDER BLOCK AND HEAD, 3TA AND T90

										3TA	T90
1	E3798	Cylinder base washer	...	...	...	...	...	...	...	1	1
2	E3698	Cylinder block	...	...	...	...	...	...	...	1	1
3	GS308	Plain washer	...	...	...	...	...	...	...	8	8
4	E2412	Nut	...	...	...	...	...	...	...	8	8
5	E4676	Tappet guide block	...	...	...	...	...	...	...	2	2
6	H200	Tappet block screw ( $\frac{7}{16}$ in. U.H.)	...	...	...	...	...	...	...	2	2
7	E1612	Serrated washer	...	...	...	...	...	...	...	2	2
8	E3753	Tappet	...	...	...	...	...	...	...	4	4
9	E4779	CYLINDER HEAD c/w GUIDES	...	...	...	...	...	...	...	1	-
9	E4784	CYLINDER HEAD c/w GUIDES	...	...	...	...	...	...	...	-	1
10	E3208	Valve guide	...	...	...	...	...	...	...	4	4
11	E3209	Valve guide circlip	...	...	...	...	...	...	...	4	4
12	E2961	Exhaust pipe adaptor	...	...	...	...	...	...	...	2	2
13	E3738	Inlet valve	...	...	...	...	...	...	...	2	-
13	E4640	Inlet valve	...	...	...	...	...	...	...	-	2
14	E3739	Exhaust valve	...	...	...	...	...	...	...	2	2
15	E3740	Bottom cup	...	...	...	...	...	...	...	4	4
16	E3942	Inner valve spring	...	...	...	...	...	...	...	4	-
17	E3741	Outer valve spring	...	...	...	...	...	...	...	4	-
16	E4010	Inner valve spring	...	...	...	...	...	...	...	-	4
17	E4011	Outer valve spring	...	...	...	...	...	...	...	-	4
18	E3742	Top collar	...	...	...	...	...	...	...	4	4
19	WE259A	Split cotter	...	...	...	...	...	...	...	8	8
20	E4456	Cylinder head bolt (2 25/32 in. U.H.)	...	...	...	...	...	...	...	4	4
21	F2184	Plain washer	...	...	...	...	...	...	...	8	8
22	E4674	Cylinder head gasket	...	...	...	...	...	...	...	1	1
23	E3745	Inlet rocker box	...	...	...	...	...	...	...	1	1
24	E3744	Exhaust rocker box	...	...	...	...	...	...	...	1	1
25	E3743	Joint washer	...	...	...	...	...	...	...	2	2
26	E3858	Rocker box stud ( $\frac{15}{16}$ in. O.A.)	...	...	...	...	...	...	...	4	4
27	E3302	Plain washer	...	...	...	...	...	...	...	4	4
28	F879	Nut	...	...	...	...	...	...	...	4	4
29	E3668	Screw ( $\frac{15}{16}$ in. U.H.)	...	...	...	...	...	...	...	4	4
30	E3857	Plain washer	...	...	...	...	...	...	...	4	4
31	E3794	Cylinder head bolt ( $5\frac{7}{16}$ in. U.H.)	...	...	...	...	...	...	...	2	2
32	E3795	Cylinder head torque stay bolt	...	...	...	...	...	...	...	2	2
33	E3809	Oil feed bolt	...	...	...	...	...	...	...	2	2
34	F1880	Copper washer	...	...	...	...	...	...	...	6	6
35	H400	Domed nut	...	...	...	...	...	...	...	2	2
36	E4610	Inspection cap	...	...	...	...	...	...	...	4	4
37	E3751	Fibre washer	...	...	...	...	...	...	...	4	4
38	E3749	ROCKER (Right exhaust, left inlet)	...	...	...	...	...	...	...	2	2
39	E3750	ROCKER (Left exhaust, right inlet)	...	...	...	...	...	...	...	2	2
40	E3222	Rocker ball pin	...	...	...	...	...	...	...	4	4
41	E3223	Rocker adjusting pin	...	...	...	...	...	...	...	4	4
42	GS662	Adjuster lock nut	...	...	...	...	...	...	...	4	4
43	E1330	Thrust washer, $\frac{3}{8}$ in.	...	...	...	...	...	...	...	2	2
44	E2534	Thrust washer, $\frac{7}{16}$ in.	...	...	...	...	...	...	...	6	6
45	E3224	Spring washer	...	...	...	...	...	...	...	4	4
46	E3748	Rocker spindle	...	...	...	...	...	...	...	2	2
47	E3253	Sealing rubber	...	...	...	...	...	...	...	2	2
48	E1335	Copper washer	...	...	...	...	...	...	...	2	2

(Continued)

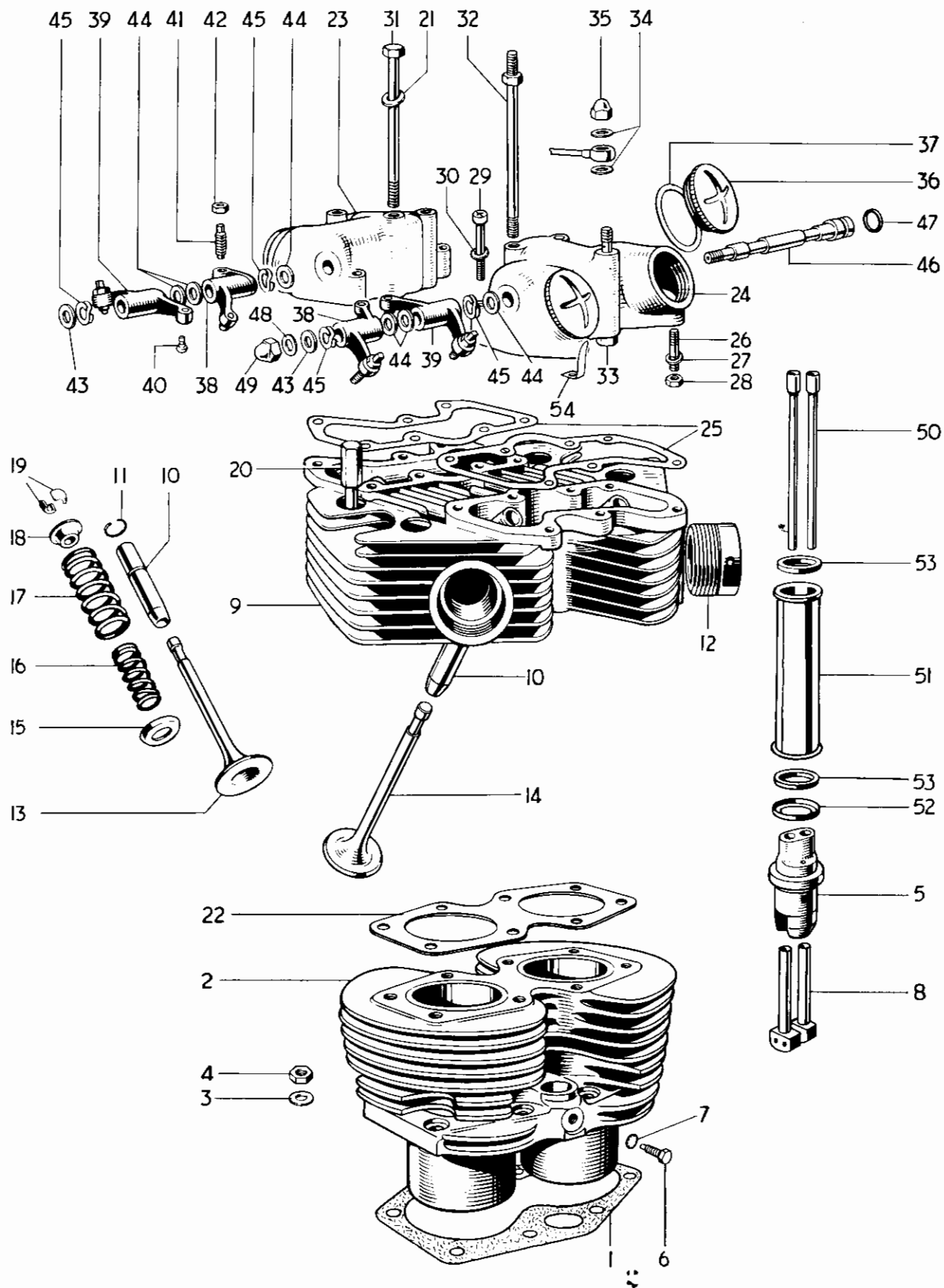


Fig. 4. CYLINDER BLOCK AND HEAD, 3TA AND T90



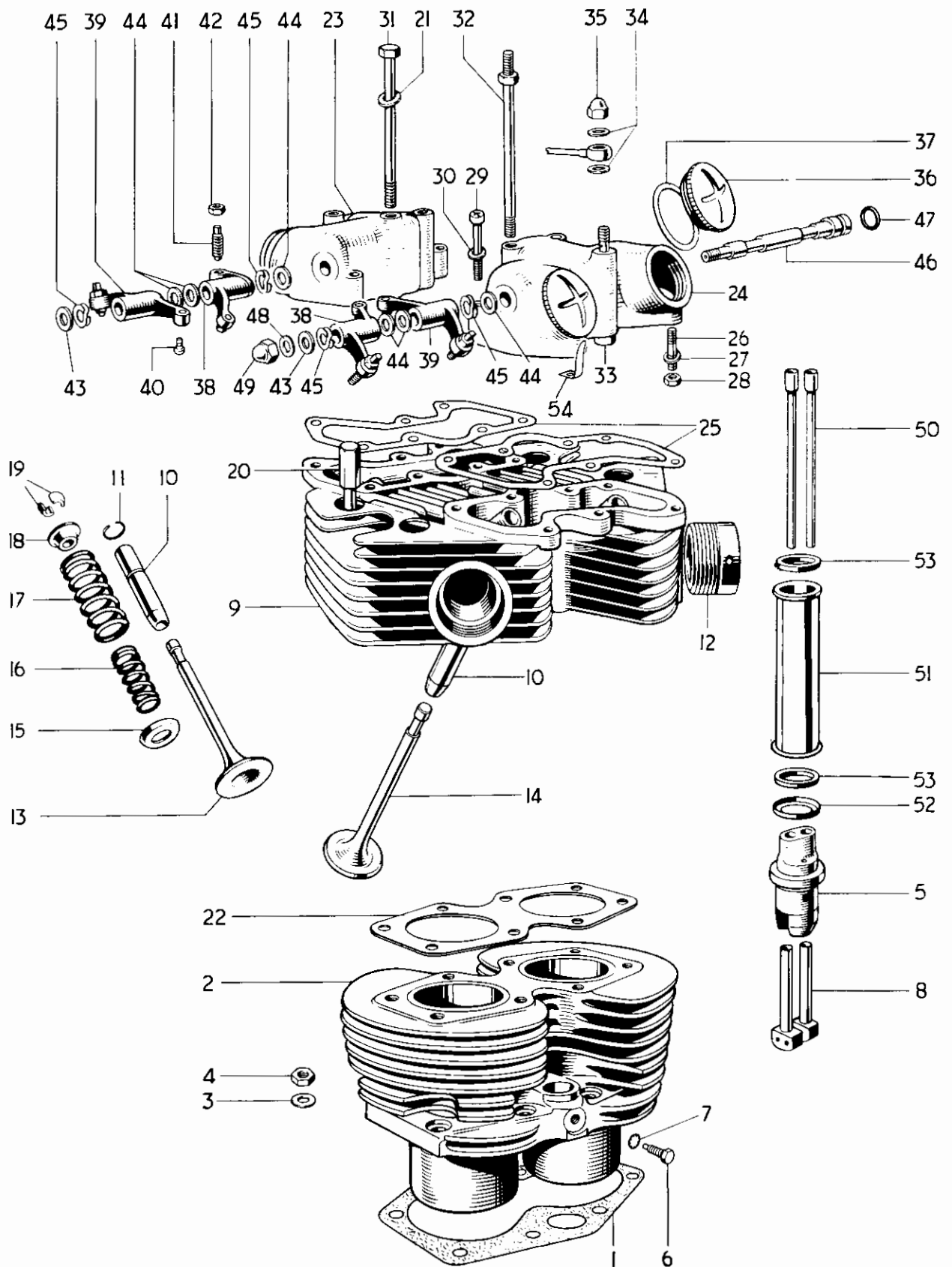


Fig. 5. CYLINDER BLOCK AND HEAD, 5TA AND T100SS

**CYLINDER BLOCK AND HEAD, 5TA AND T100SS**

			5TA	T100SS
1	E3798	Cylinder base washer ... ..	1	1
2	E4000	Cylinder block ... ..	1	1
3	GS308	Plain washer ... ..	8	8
4	E2412	Nut ... ..	8	8
5	E4676	Tappet guide block ... ..	2	2
6	H200	Tappet block screw ( $\frac{7}{16}$ in. U.H.) ... ..	2	2
7	E1612	Serrated washer ... ..	2	2
8	E3753	Tappet ... ..	4	4
9	E4785	CYLINDER HEAD c/w GUIDES ... ..	1	1
10	E3208	Valve guide ... ..	4	4
11	E3209	Valve guide circlip ... ..	4	4
12	E2961	Exhaust pipe adaptor ... ..	2	2
13	E4012	Inlet valve ... ..	2	2
14	E4013	Exhaust valve ... ..	2	2
15	E3740	Bottom cap ... ..	4	4
16	E4010	Inner valve spring ... ..	4	4
17	E4011	Outer valve spring ... ..	4	4
18	E3742	Top collar ... ..	4	4
19	WE259A	Split cotter ... ..	8	8
20	E4456	Cylinder head bolt (2 25/32 in. U.H.) ... ..	4	4
21	F2184	Plain washer ... ..	8	8
22	E4675	Cylinder head gasket ... ..	1	1
23	E3745	Inlet rocker box ... ..	1	1
24	E3744	Exhaust rocker box ... ..	1	1
25	E3743	Joint washer ... ..	2	2
26	E3858	Rocker box stud ( $\frac{15}{16}$ in. O.A.) ... ..	4	4
27	E3302	Plain washer ... ..	4	4
28	F879	Nut ... ..	4	4
29	E3668	Screw ( $\frac{15}{16}$ in. U.H.) ... ..	4	4
30	E3857	Plain washer ... ..	4	4
31	E3794	Cylinder head bolt (5 $\frac{7}{16}$ in. U.H.) ... ..	2	2
32	E3795	Cylinder head torque stay bolt ... ..	2	2
33	E3809	Oil feed bolt ... ..	2	2
34	F1880	Copper washer ... ..	6	6
35	E400	Domed nut ... ..	2	2
36	E4610	Inspection cap ... ..	4	4
37	E3751	Fibre washer ... ..	4	4
38	E3749	ROCKER (right exhaust, left inlet) ... ..	2	2
39	E3750	ROCKER (left exhaust, right inlet) ... ..	2	2
40	E3222	Rocker ball pin ... ..	4	4
41	E3223	Rocker adjusting pin ... ..	4	4
42	GS662	Adjuster lock nut ... ..	4	4
43	E1330	Thrust washer, $\frac{3}{8}$ in. ... ..	2	2
44	E2534	Thrust washer, $\frac{7}{16}$ in. ... ..	6	6
45	E3224	Spring washer ... ..	4	4
46	E3748	Rocker spindle ... ..	2	2
47	E3253	Sealing rubber ... ..	2	2
48	E1335	Copper washer ... ..	2	2
49	E1435	Domed nut ... ..	2	2
50	E4008	Push rod ... ..	4	4
51	E4751	Cover tube ... ..	2	2
52	E4746	Bottom cup ... ..	2	2
53	E4752	Rubber washer ... ..	4	4
54	E4671	Locking spring ... ..	4	4

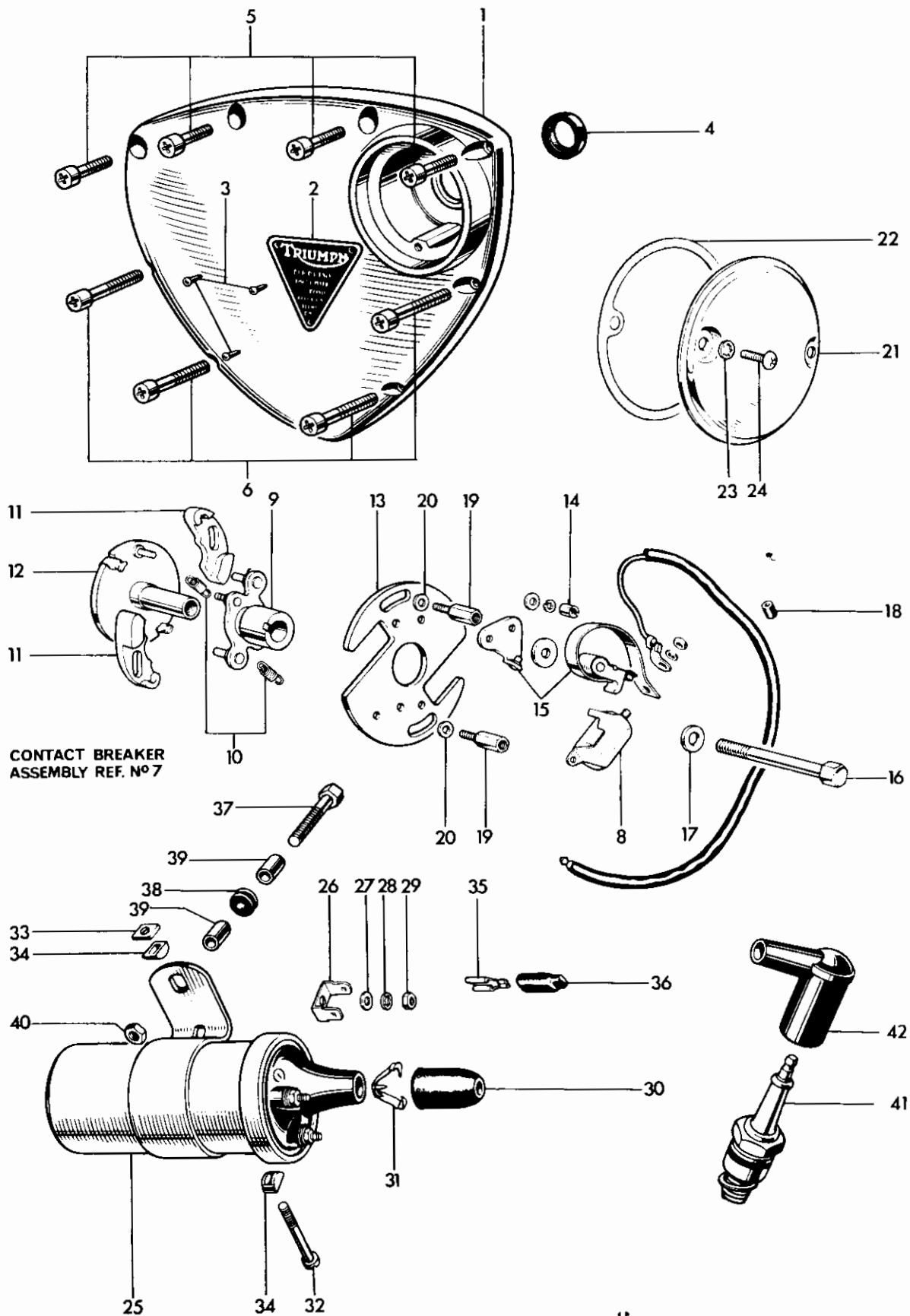


Fig. 6. TIMING COVER, CONTACT BREAKER AND COILS



## TIMING COVER, CONTACT BREAKER AND COILS

									3TA	5TA	T90	T100SS
1	E4630	Timing cover ...	...	...	...	...	...	...	1	1	1	1
2	E4016	Patent plate ...	...	...	...	...	...	...	1	1	1	1
3	D208-5	Hammer-drive screw ...	...	...	...	...	...	...	3	3	3	3
4	E4568	Oil seal ...	...	...	...	...	...	...	1	1	1	1
5	E3800	Screw ( $\frac{7}{8}$ in. U.H.) ...	...	...	...	...	...	...	4	4	4	4
6	E3801	Screw ( $1\frac{1}{8}$ in. U.H.) ...	...	...	...	...	...	...	4	4	4	4
7	47605	CONTACT BREAKER, type 4CA ...	...	...	...	...	...	...	1	1	1	1
8	425377	Condenser ...	...	...	...	...	...	...	2	2	2	2
9	54441729	Cam... ...	...	...	...	...	...	...	1	1	1	1
10	54415642	Spring set ...	...	...	...	...	...	...	1	1	1	1
11	425379	Weight ...	...	...	...	...	...	...	2	2	2	2
12	54415751	Sleeve and action plate ...	...	...	...	...	...	...	1	1	1	1
13	425370	Base plate ...	...	...	...	...	...	...	1	1	1	1
14	169194	Slotted nut... ...	...	...	...	...	...	...	4	4	4	4
15	54415803	Contact set ...	...	...	...	...	...	...	2	2	2	2
16	E5451	Bolt (2 in. U.H.) ...	...	...	...	...	...	...	1	1	1	1
17	S25-43	Plain washer ...	...	...	...	...	...	...	1	1	1	1
18	E4707	Grommet ...	...	...	...	...	...	...	1	1	1	1
19	E4747	Pillar bolt ...	...	...	...	...	...	...	2	2	2	2
20	E2351	Plain washer ...	...	...	...	...	...	...	2	2	2	2
21	E4571	Cover ...	...	...	...	...	...	...	1	1	1	1
22	E5049	Joint washer ...	...	...	...	...	...	...	1	1	1	1
23	GS299	Serrated washer ...	...	...	...	...	...	...	2	2	2	2
24	F4715	Screw ( $15/32$ in. U.H.) ...	...	...	...	...	...	...	2	2	2	2
25	45152	IGNITION COIL, type MA6 ...	...	...	...	...	...	...	2	2	2	2
26	54190108	Lucar terminal ...	...	...	...	...	...	...	4	4	4	4
27	131023	Plain washer (E2351) ...	...	...	...	...	...	...	4	4	4	4
28	188330	Serrated washer (GS299)...	...	...	...	...	...	...	4	4	4	4
29	166043	Nut (F3799) ...	...	...	...	...	...	...	4	4	4	4
30	421554	Rubber grommet ...	...	...	...	...	...	...	2	2	2	2
31	421863	Cable clip ...	...	...	...	...	...	...	2	2	2	2
32	100104	Screw ...	...	...	...	...	...	...	2	2	2	2
33	169160	Square nut ...	...	...	...	...	...	...	2	2	2	2
34	422369	"D" washer ...	...	...	...	...	...	...	4	4	4	4
35	54942078	Lucar connector ...	...	...	...	...	...	...	4	4	4	4
36	54190042	Insulating cover... ...	...	...	...	...	...	...	4	4	4	4
37	F3809	Bolt ( $1\frac{3}{4}$ in. U.H.) ...	...	...	...	...	...	...	2	2	2	2
38	F5466	Rubber grommet ...	...	...	...	...	...	...	2	2	2	2
39	F5467	Distance piece ...	...	...	...	...	...	...	4	4	4	4
40	E3290	Self-locking nut ...	...	...	...	...	...	...	2	2	2	2
41	—	Sparking plug (Champion N4) ...	...	...	...	...	...	...	2	2	2	2
42	D297	Plug cover and suppressor ...	...	...	...	...	...	...	2	2	2	2
42	D262	Plug cover ...	...	...	...	...	...	...	A	A	A	A

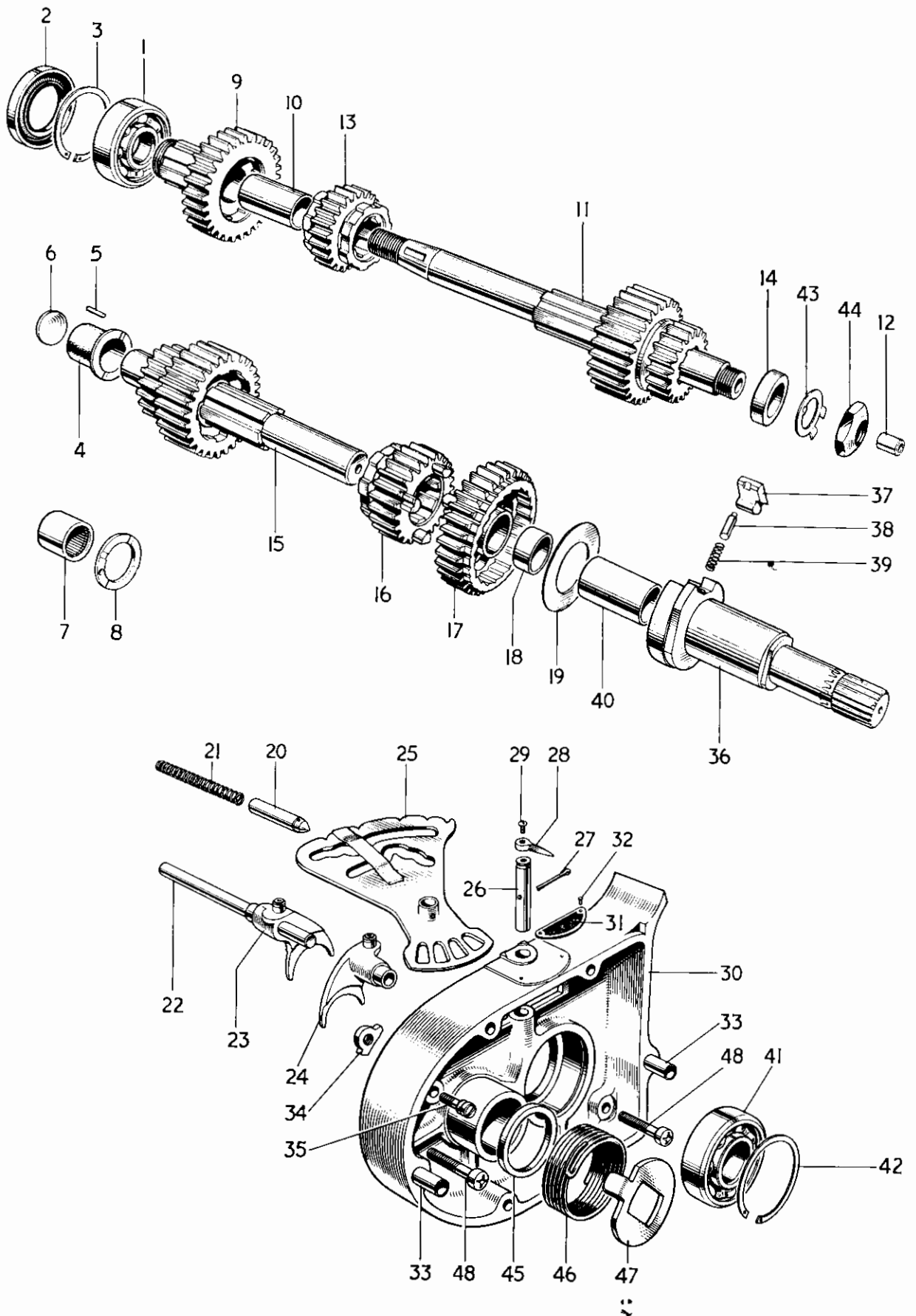


Fig. 7. GEARBOX SHAFTS, BEARINGS AND INNER COVER

## GEARBOX SHAFTS, BEARINGS AND INNER COVER

								3TA	5TA	T90	T100SS
1	T665	High gear bearing (ball journal)	...	...	...	...	...	1	1	1	1
2	T1478	Oil seal	...	...	...	...	...	1	1	1	1
3	W680	Circlip	...	...	...	...	...	1	1	1	1
4	T1367	Layshaft bush	...	...	...	...	...	1	1	-	-
5	T912	Peg	...	...	...	...	...	1	1	-	-
6	T981	Blanking disc	...	...	...	...	...	1	1	-	-
7	T1606	Layshaft bearing	...	...	...	...	...	-	-	1	1
8	T1607	Thrust washer	...	...	...	...	...	-	-	1	1
9	T1947	MAINSHAFT HIGH GEAR (22T)	...	...	...	...	...	1	1	1	1
10	T1405	High gear bush	...	...	...	...	...	1	1	1	1
11	T1948	MAINSHAFT c/w THIRD AND LOW GEARS (16/24T)	...	...	...	...	...	1	1	1	1
12	T1391	Clutch rod bush	...	...	...	...	...	1	1	1	1
13	T1922	Mainshaft second gear (21T)	...	...	...	...	...	1	1	1	1
14	T1411	Mainshaft distance piece	...	...	...	...	...	1	1	1	1
15	T1965	Layshaft c/w second and high gears (15/23T)	...	...	...	...	...	1	1	-	-
15	T1949	Layshaft c/w second and high gears (25/23T)	...	...	...	...	...	-	-	1	1
16	T1839	Layshaft third gear (20T)	...	...	...	...	...	1	1	1	1
17	T1950	LAYSHAFT LOW GEAR (27T)	...	...	...	...	...	1	1	1	1
18	T1393	Low gear bush	...	...	...	...	...	1	1	1	1
19	T1426	Pawl retaining disc	...	...	...	...	...	1	1	1	1
20	T1471	Camplate index plunger	...	...	...	...	...	1	1	1	1
21	T373	Index plunger spring	...	...	...	...	...	1	1	1	1
22	T1457	Selector fork spindle	...	...	...	...	...	1	1	1	1
23	T1480	Mainshaft selector fork	...	...	...	...	...	1	1	1	1
24	T1481	Layshaft selector fork	...	...	...	...	...	1	1	1	1
25	T1768	Gear selector camplate	...	...	...	...	...	1	1	1	1
26	T1418	Camplate spindle	...	...	...	...	...	1	1	1	1
27	$\frac{1}{8}$ in. x $\frac{3}{4}$ in.	Split pin	...	...	...	...	...	1	1	1	1
28	T1416	Gear indicator pointer	...	...	...	...	...	1	1	1	1
29	H688	Screw ( $\frac{7}{16}$ in. U.H.)	...	...	...	...	...	1	1	1	1
30	T1448	Inner cover	...	...	...	...	...	1	1	1	1
31	T417	Gear indicator plate	...	...	...	...	...	1	1	1	1
32	D208-5	Indicator plate rivet	...	...	...	...	...	2	2	2	2
33	T1440	Hollow dowel	...	...	...	...	...	2	2	2	2
34	T1157	Kickstarter stop plate	...	...	...	...	...	1	1	1	1
35	T1390	Stop plate and anchor screw	...	...	...	...	...	1	1	1	1
36	T1445	KICKSTARTER SPINDLE	...	...	...	...	...	1	1	-	-
36	T1981	KICKSTARTER SPINDLE	...	...	...	...	...	-	-	1	1
37	T1431	Kickstarter pawl	...	...	...	...	...	1	1	1	1
38	T1282	Plunger	...	...	...	...	...	1	1	1	1
39	T1161	Plunger spring	...	...	...	...	...	1	1	1	1
40	T1897	Bearing	...	...	...	...	...	-	-	1	1
40	T1446	Floating bush	...	...	...	...	...	1	1	-	-
41	T1469	Mainshaft bearing (Ball journal)	...	...	...	...	...	1	1	1	1
42	T280	Circlip	...	...	...	...	...	1	1	1	1
43	T732	Tab washer	...	...	...	...	...	1	1	1	1
44	E2419	Mainshaft nut	...	...	...	...	...	1	1	1	1
45	T1464	Distance piece	...	...	...	...	...	1	1	1	1
46	T1441	Kickstarter return spring	...	...	...	...	...	1	1	1	1
47	T1422	Return spring plate	...	...	...	...	...	1	1	1	1
48	E3204	Screw (1 in. U.H.)	...	...	...	...	...	2	2	2	2



## GEARBOX OUTER COVER AND LEVERS

							3TA	5TA	T90	T100SS
1	T1870	GEARBOX OUTER COVER	...	...	...	...	1	1	1	1
2	T1395	Gearchange spindle bush...	...	...	...	...	1	1	1	1
3	T1944	Stud (1 $\frac{5}{16}$ in. O.A.)	...	...	...	...	2	2	2	2
4	T1875	Screw ( $\frac{7}{8}$ in. O.A.)	...	...	...	...	1	1	1	1
5	T1942	GEARCHANGE QUADRANT	...	...	...	...	1	1	1	1
6	T1474	Spring retaining pin	...	...	...	...	2	2	2	2
7	T1436	Plunger spring	...	...	...	...	2	2	2	2
8	T1396	Selector plunger	...	...	...	...	2	2	2	2
9	5/64 in. x $\frac{5}{8}$ in.	Split pin	...	...	...	...	2	2	2	2
10	E3309	Sealing ring	...	...	...	...	1	1	1	1
11	T1871	Return spring housing	...	...	...	...	1	1	1	1
12	T1877	Return spring	...	...	...	...	2	2	2	2
13	T1878	Thrust button	...	...	...	...	2	2	2	2
14	T1977	Cover	...	...	...	...	1	1	1	1
15	W103	Nut	...	...	...	...	3	3	3	3
16	T1876	Distance piece	...	...	...	...	2	2	2	2
17	T1874	Distance piece	...	...	...	...	1	1	1	1
18	T1880	Clutch lever	...	...	...	...	1	1	1	1
19	T1771	Ball, $\frac{3}{8}$ in. diam.	...	...	...	...	3	3	3	3
20	T1710	Shaft	...	...	...	...	1	1	1	1
21	T1712	Spring	...	...	...	...	1	1	1	1
22	GS127	Plain washer	...	...	...	...	1	1	1	1
23	5/64 in. x $\frac{1}{2}$ in.	Split pin	...	...	...	...	1	1	1	1
24	T1945	Spoke	...	...	...	...	1	1	1	1
25	T1946	Connector	...	...	...	...	1	1	1	1
26	T1937	Nut	...	...	...	...	1	1	1	1
27	T1644	Abutment	...	...	...	...	1	1	1	1
28	T1645	Adaptor	...	...	...	...	1	1	1	1
29	T1646	Rubber cover	...	...	...	...	1	1	1	1
30	S1-51	Nut	...	...	...	...	2	2	2	2
31	S25-3	Plain washer	...	...	...	...	2	2	2	2
32	T1401	Screw (2 $\frac{3}{8}$ in. U.H.)	...	...	...	...	2	2	2	2
33	T1402	Screw (2 $\frac{3}{8}$ in. U.H.)	...	...	...	...	2	2	2	2
34	T1435	Gearchange lever	...	...	...	...	1	1	1	1
35	T449	Pedal rubber	...	...	...	...	1	1	1	1
36	W932	Bolt (1 in. U.H.)	...	...	...	...	1	1	1	1
37	T1677	KICKSTARTER LEVER COMPLETE...	...	...	...	...	1	1	1	1
38	T1678	Kickstarter crank	...	...	...	...	1	1	1	1
39	T1272	Kickstarter pedal	...	...	...	...	1	1	1	1
40	S70-3	Steel ball ( $\frac{1}{4}$ in. diam.)	...	...	...	...	1	1	1	1
41	T1167	Index spring	...	...	...	...	1	1	1	1
42	T1273	Pivot bolt	...	...	...	...	1	1	1	1
43	T1439	Clamp bolt (1 $\frac{7}{8}$ in. U.H.)	...	...	...	...	1	1	1	1
44	F1814	Pedal rubber	...	...	...	...	1	1	1	1
45	T1456	Clutch operating rod	...	...	...	...	1	-	-	-
45	T1970	Clutch operating rod	...	...	...	...	-	1	1	1

CLUTCH ASSEMBLY N° 1

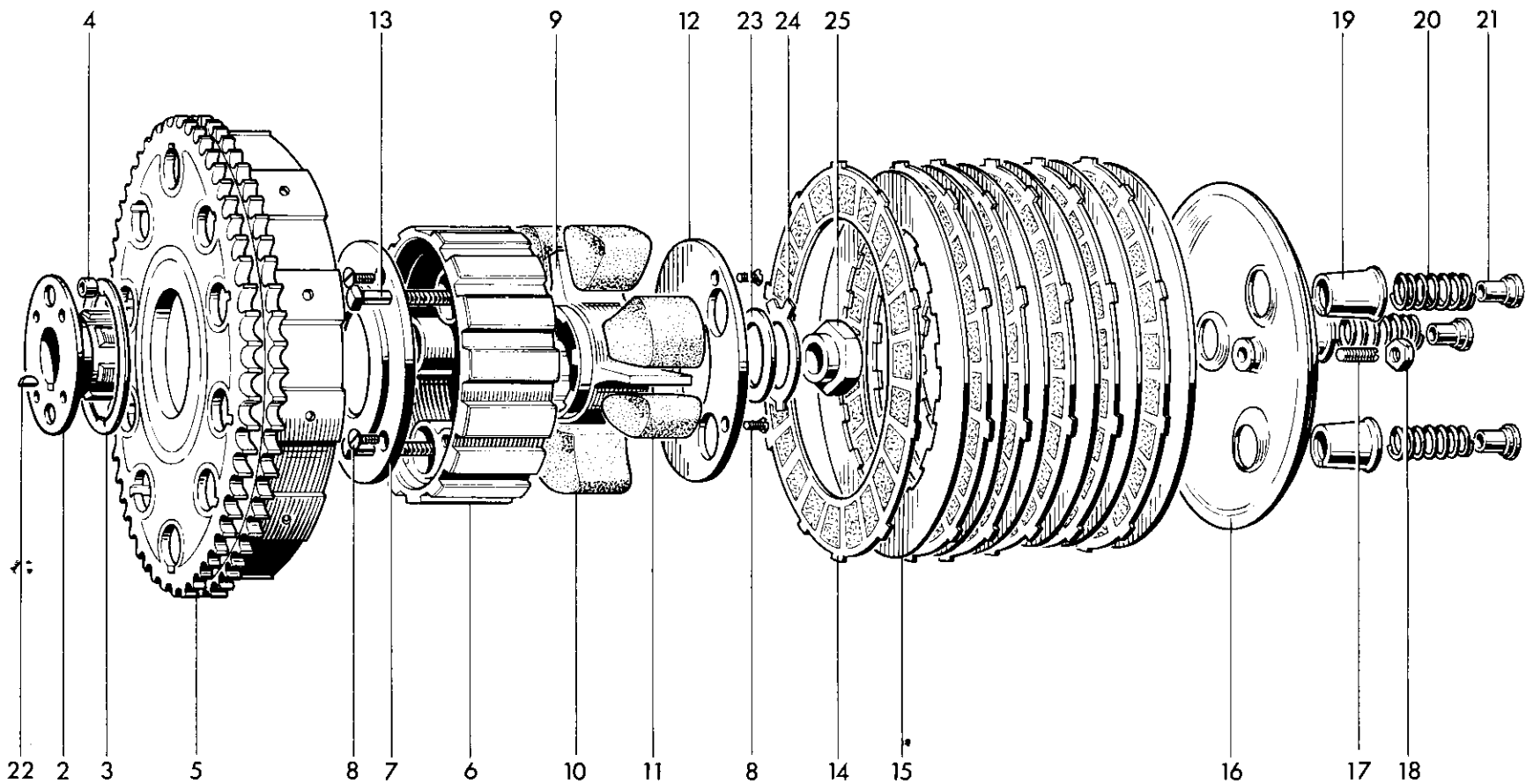


Fig. 9. CLUTCH

## CLUTCH

								3TA	5TA	T90	T100SS
1	T1933	CLUTCH COMPLETE	...	...	...	...	...	1	-	-	-
1	T1935	CLUTCH COMPLETE	...	...	...	...	...	-	1	1	1
2	T1751	Hub	...	...	...	...	...	1	1	1	1
3	T1735	Thrust washer	...	...	...	...	...	1	1	1	1
4	T394	Roller	...	...	...	...	...	20	20	20	20
5	T1442	Sprocket and housing	...	...	...	...	...	1	-	-	-
5	T1570	Sprocket and housing	...	...	...	...	...	-	1	1	1
6	T1718	Centre (Shock absorber body)	...	...	...	...	...	1	-	-	-
6	T1719	Centre (Shock absorber body)	...	...	...	...	...	-	1	1	1
7	T1720	Inner plate	...	...	...	...	...	1	1	1	1
8	T1040	Countersunk screw (0.417 in. U.H.)	...	...	...	...	...	6	6	6	6
9	T1721	Shock absorber spider	...	...	...	...	...	1	1	1	1
10	T1722	Drive rubber (large)	...	...	...	...	...	3	3	3	3
11	T1723	Rebound rubber (small)	...	...	...	...	...	3	3	3	3
12	T1724	Outer plate	...	...	...	...	...	1	1	1	1
13	T423	Screwed pin (1 19/32 in. U.H.)	...	...	...	...	...	3	-	-	-
13	T423A	Screwed pin (1 27/32 in. U.H.)	...	...	...	...	...	-	3	3	3
14	T1362	Driving plate (bonded)	...	...	...	...	...	5	6	6	6
15	T1363	Driven plate (plain)	...	...	...	...	...	5	6	6	6
16	T1929	Pressure plate	...	...	...	...	...	1	1	1	1
17	T1256	Adjuster pin	...	...	...	...	...	1	1	1	1
18	GS662	Nut	...	...	...	...	...	1	1	1	1
19	T1934	Spring cup	...	...	...	...	...	3	-	-	-
19	T1931	Spring cup	...	...	...	...	...	-	3	3	3
20	T1752	Spring	...	...	...	...	...	3	-	-	-
20	T1560	Spring	...	...	...	...	...	-	3	3	3
21	T427	Brass nut	...	...	...	...	...	3	3	3	3
22	S66-1	Key	...	...	...	...	...	1	1	1	1
23	T1045	Cupped washer	...	...	...	...	...	1	1	1	1
24	T1046	Tab washer	...	...	...	...	...	1	1	1	1
25	T1047	Nut	...	...	...	...	...	1	1	1	1

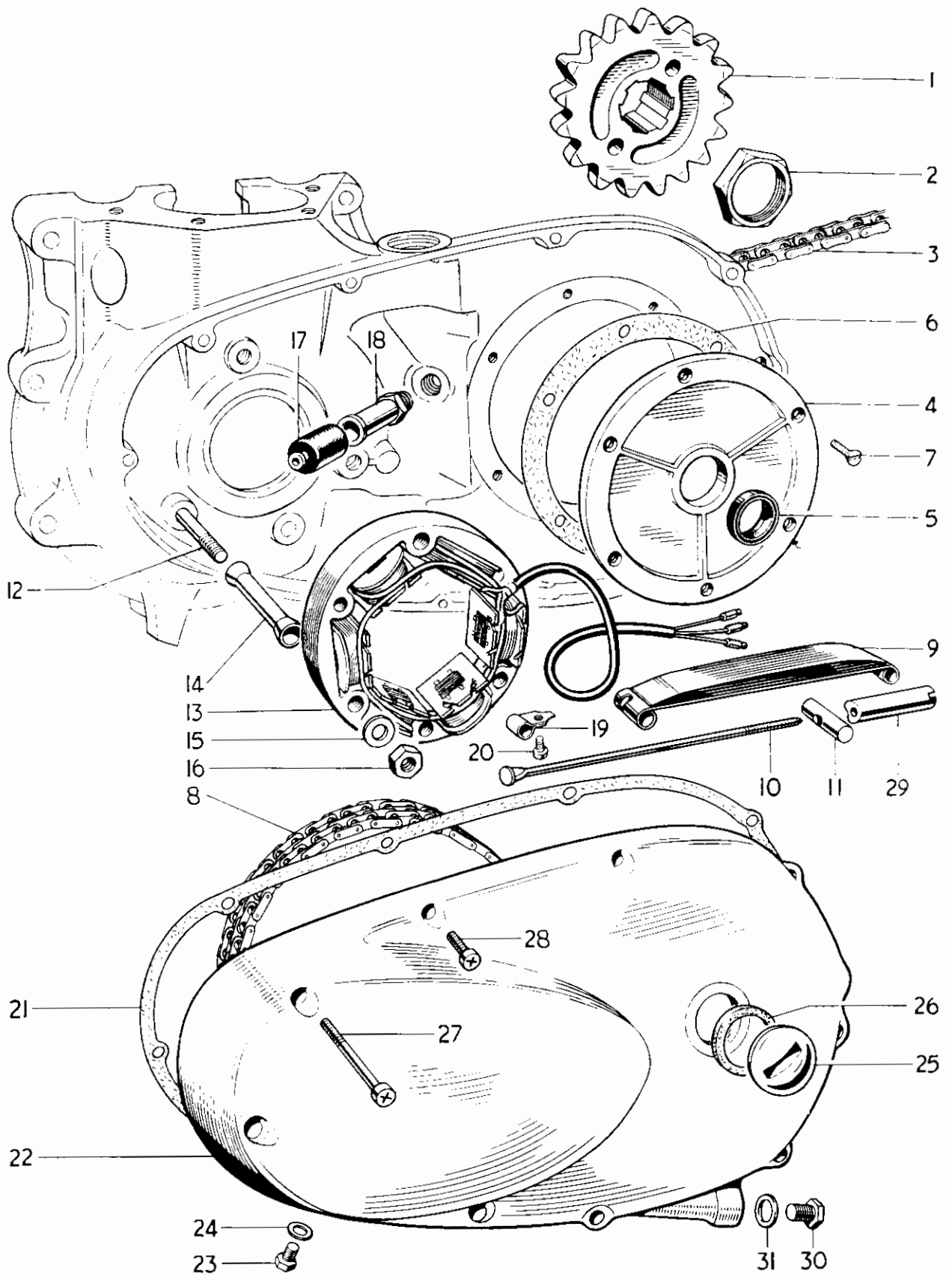


Fig. 10. CHAINCASE AND CHAINS



## CHAINCASE AND CHAINS

							3TA	5TA	T90	T100SS
1	T1476	Gearbox sprocket (18 teeth) ...	...	...	...	...	-	-	-	1
1	T1558	Gearbox sprocket (17 teeth) ...	...	...	...	...	-	-	1	-
1	T1569	Gearbox sprocket (20 teeth) ...	...	...	...	...	-	1	-	-
1	T1476/19	Gearbox sprocket (19 teeth) ...	...	...	...	...	1	-	-	-
2	T1434	Gearbox sprocket nut ...	...	...	...	...	1	1	1	1
3	D481	Rear chain, $\frac{5}{8}$ in. x $\frac{3}{8}$ in. x 103L ...	...	...	...	...	1	1	-	-
3	D444	Rear chain, $\frac{5}{8}$ in. x $\frac{3}{8}$ in. x 102L ...	...	...	...	...	-	-	1	1
4	E3789	Cover plate ...	...	...	...	...	1	1	1	1
5	E3833	Oil seal ...	...	...	...	...	1	1	1	1
6	E3832	Joint washer ...	...	...	...	...	1	1	1	1
7	E3821	Countersunk screw ( $\frac{7}{16}$ in. U.H.) ...	...	...	...	...	6	6	6	6
8	D358	Primary chain, $\frac{3}{8}$ in. Duplex 78L ...	...	...	...	...	1	1	1	1
9	E4149	Chain tensioner blade ...	...	...	...	...	1	1	1	1
10	E4152	Tie rod ...	...	...	...	...	1	1	1	1
11	E4148	Trunnion ...	...	...	...	...	1	1	1	1
12	E3811	Stud (3 $\frac{5}{16}$ in. O.A.) ...	...	...	...	...	3	3	3	3
13	47164	Stator, RM 19 ...	...	...	...	...	1	1	1	1
14	E3810	Distance piece ...	...	...	...	...	3	3	3	3
15	S25-3	Plain washer ...	...	...	...	...	3	3	3	3
16	E5324	Nut ...	...	...	...	...	3	3	3	3
17	E4144	Rubber grommet ...	...	...	...	...	1	1	1	1
18	E4772	Sleeve nut ...	...	...	...	...	1	1	1	1
19	E1509	Clip ...	...	...	...	...	1	1	1	1
20	T361	Bolt ( $\frac{1}{4}$ in. U.H.) ...	...	...	...	...	1	1	1	1
21	E4156	Joint washer ...	...	...	...	...	1	1	1	1
22	E4122	Chaincase ...	...	...	...	...	1	1	1	1
23	DS57	Drain and level plug ...	...	...	...	...	1	1	1	1
24	WE170	Fibre washer ...	...	...	...	...	2	1	1	1
25	E732	Filler plug ...	...	...	...	...	1	1	1	1
26	NE507	Fibre washer ...	...	...	...	...	1	1	1	1
27	E3802	Screw (2 $\frac{3}{4}$ in. U.H.) ...	...	...	...	...	3	3	3	3
28	E3668	Screw (1 $\frac{7}{8}$ in. U.H.) ...	...	...	...	...	7	7	7	7
29	E4153	Adjuster sleeve nut ...	...	...	...	...	1	1	1	1
30	E4154	Drain plug ...	...	...	...	...	1	1	1	1
31	T1738	Fibre washer ...	...	...	...	...	1	1	1	1

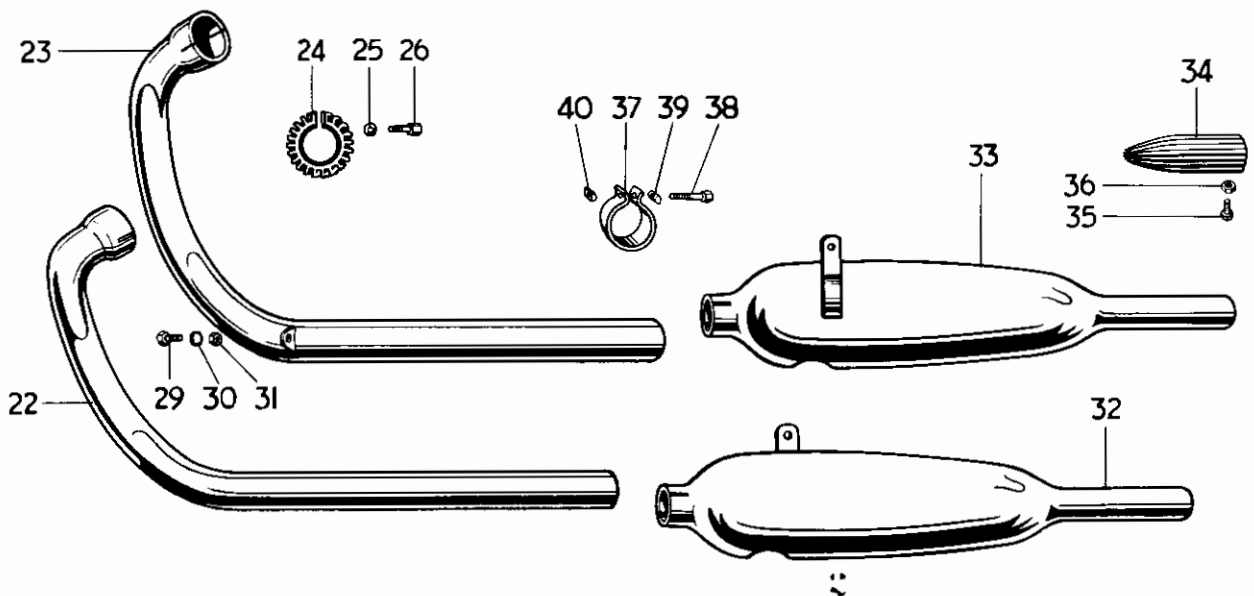
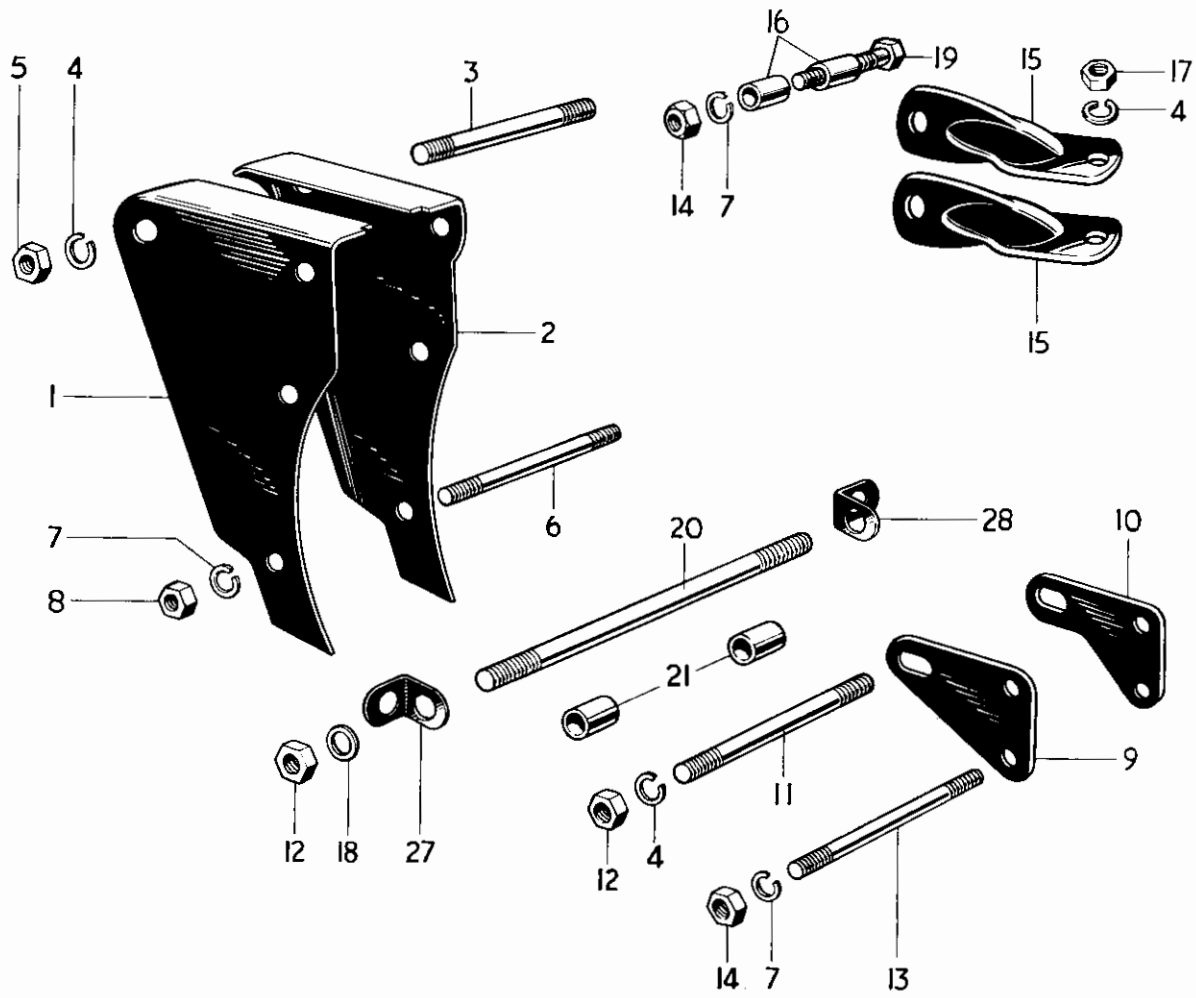


Fig. 11. ENGINE FITTINGS AND EXHAUST SYSTEM

## ENGINE FITTINGS AND EXHAUST SYSTEM

								3TA	5TA	T90	T100S5
1	F4275	Left front engine plate...	...	...	...	...	...	1	1	1	1
2	F4276	Right front engine plate	...	...	...	...	...	1	1	1	1
3	F2825	Stud (3 $\frac{1}{2}$ in. O.A.)	...	...	...	...	...	1	1	1	1
4	S26-1	Spring washer	...	...	...	...	...	8	8	8	8
5	PO172A	Nut ... ..	...	...	...	...	...	2	2	2	2
6	E3804	Stud (3 in. O.A.)	...	...	...	...	...	3	3	3	3
7	S26-3	Spring washer	...	...	...	...	...	8	8	8	8
8	S1-51	Nut ... ..	...	...	...	...	...	3	3	3	3
9	F4229	Left rear engine plate	...	...	...	...	...	1	1	1	1
10	F4230	Right rear engine plate	...	...	...	...	...	1	1	1	1
11	E3665	Stud (4 $\frac{1}{4}$ in. O.A.)	...	...	...	...	...	1	1	1	1
12	PO172A	Nut ... ..	...	...	...	...	...	4	4	4	4
13	E3695	Stud (4 $\frac{3}{8}$ in. O.A.)	...	...	...	...	...	2	2	2	2
14	S1-51	Nut ... ..	...	...	...	...	...	5	5	5	5
15	E4778	Torque stay	...	...	...	...	...	2	2	2	2
16	E5072	Distance piece ...	...	...	...	...	...	2	2	2	2
17	S1-52	Nut ... ..	...	...	...	...	...	2	2	2	2
18	F5532	Plain washer ...	...	...	...	...	...	2	2	2	2
19	E4165	Bolt (1 $\frac{1}{8}$ in. U.H.)	...	...	...	...	...	1	1	1	1
20	E3812	Stud (7 $\frac{1}{8}$ in. O.A.)	...	...	...	...	...	1	1	1	1
21	F4197	Distance piece ...	...	...	...	...	...	2	2	2	2
22	E3992	Left exhaust pipe	...	...	...	...	...	1	1	-	1
23	E3994	Right exhaust pipe	...	...	...	...	...	1	1	-	1
22	E5325	Left exhaust pipe	...	...	...	...	...	-	-	1	-
23	E5327	Right exhaust pipe	...	...	...	...	...	-	-	1	-
24	E1270	Finned clip ...	...	...	...	...	...	2	2	2	2
25	E410A	Hemispherical washer ...	...	...	...	...	...	2	2	2	2
26	E409	Bolt (1 $\frac{3}{8}$ in. U.H.)	...	...	...	...	...	2	2	2	2
27	F4707	Left bracket ...	...	...	...	...	...	1	1	1	1
28	F4283	Right bracket ...	...	...	...	...	...	1	1	1	1
29	D557	Bolt ( $\frac{7}{8}$ in. U.H.)	...	...	...	...	...	2	2	2	2
30	E1612	Serrated washer	...	...	...	...	...	2	2	2	2
31	F879	Nut ... ..	...	...	...	...	...	2	2	2	2
32	E3935	Left silencer ...	...	...	...	...	...	1	1	1	1
33	E3936	Right silencer ...	...	...	...	...	...	1	1	1	1
34	E4155	Silencer mute ...	...	...	...	...	...	A	A	A	A
35	H689	Screw ( $\frac{1}{2}$ in. U.H.)	...	...	...	...	...	A	A	A	A
36	H691	Nut ... ..	...	...	...	...	...	A	A	A	A
37	E2271	Clip ... ..	...	...	...	...	...	2	2	2	2
38	TE164E	Bolt (1 $\frac{3}{8}$ in. U.H.)	...	...	...	...	...	2	2	2	2
39	TE164D	"D" washer ...	...	...	...	...	...	2	2	2	2
40	TE164C	"D" nut ... ..	...	...	...	...	...	2	2	2	2

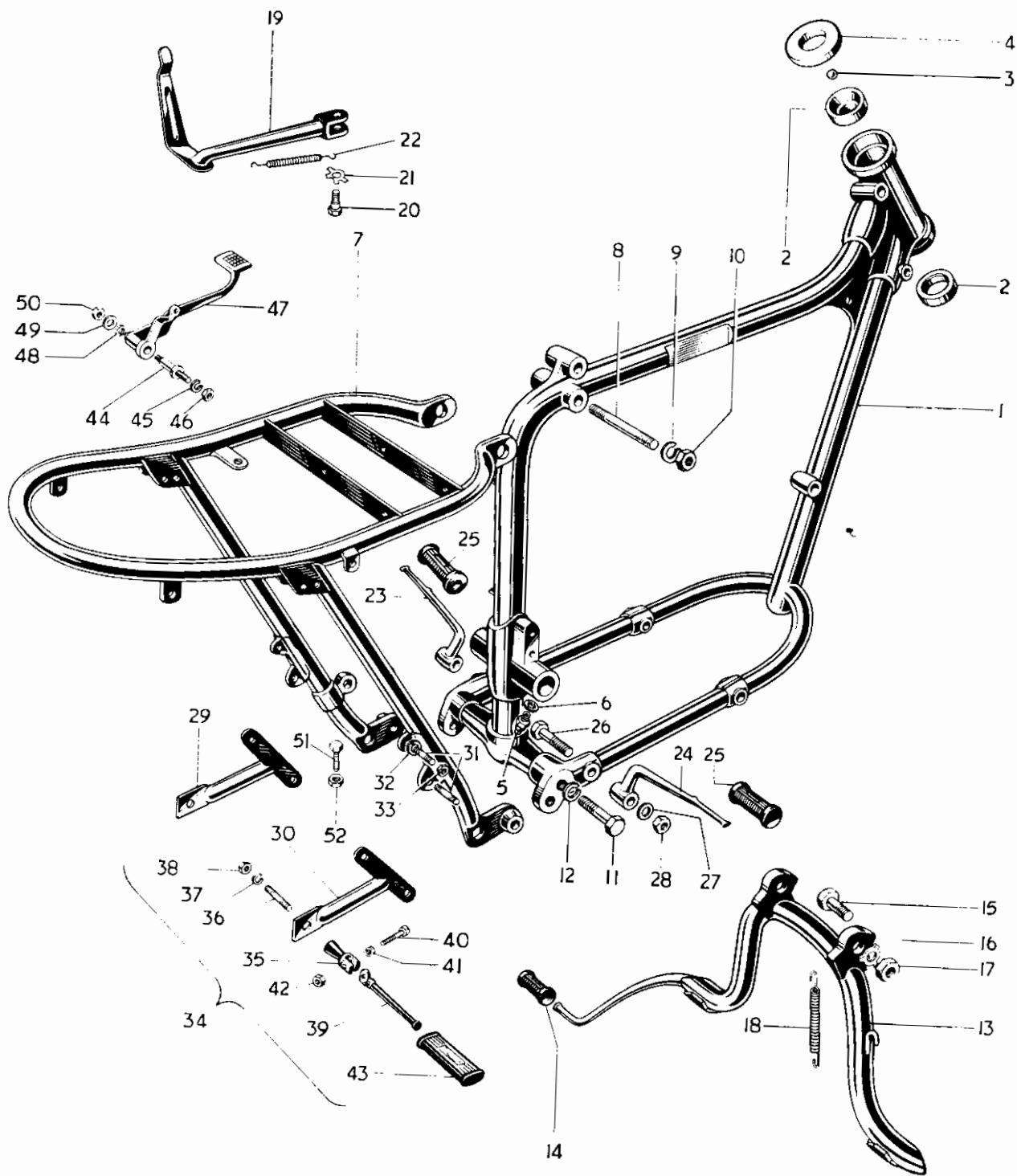


Fig. 12. FRAME



## FRAME

									3TA	5TA	T90	T100SS
1	F5406	Front frame	...	...	...	...	...	...	1	1	1	1
2	H1130	Steering race cup	...	...	...	...	...	...	2	2	2	2
3	S70-4	Steel ball ( $\frac{1}{8}$ in. U.H.)	...	...	...	...	...	...	48	48	48	48
4	H1140	Top cone and dust cover	...	...	...	...	...	...	1	1	1	1
5	NW100	Grease nipple	...	...	...	...	...	...	1	1	1	1
6	WE170	Fibre washer	...	...	...	...	...	...	1	1	1	1
7	F6223	Rear frame	...	...	...	...	...	...	1	1	1	1
8	F4510	Stud ( $4\frac{3}{8}$ in. O.A.)	...	...	...	...	...	...	1	1	1	1
9	S26-1	Spring washer	...	...	...	...	...	...	2	2	2	2
10	S1-52	Nut	...	...	...	...	...	...	2	2	2	2
11	F3780	Bolt ( $1\frac{1}{8}$ in. U.H.)	...	...	...	...	...	...	2	2	2	2
12	PCW73A	Spring washer	...	...	...	...	...	...	2	2	2	2
13	F5529	Centre stand	...	...	...	...	...	...	1	1	-	-
13	F5153	Centre stand	...	...	...	...	...	...	-	-	1	1
14	T449	Pedal rubber	...	...	...	...	...	...	1	1	1	1
15	F3619	Pivot bolt ( $1\frac{3}{8}$ in. U.H.)	...	...	...	...	...	...	2	2	2	2
16	F4484	Tab washer	...	...	...	...	...	...	2	2	2	2
17	F2725	Nut	...	...	...	...	...	...	2	2	2	2
18	F3617	Return spring	...	...	...	...	...	...	1	1	1	1
19	F4388	Prop stand	...	...	...	...	...	...	1	1	-	-
19	F3723	Prop stand	...	...	...	...	...	...	-	-	1	1
20	F3097	Pivot bolt	...	...	...	...	...	...	1	1	1	1
21	F3096	Tab washer	...	...	...	...	...	...	1	1	1	1
22	F2610	Return spring	...	...	...	...	...	...	1	1	1	1
23	F4214	Left footrest	...	...	...	...	...	...	1	1	1	1
24	F4215	Right footrest	...	...	...	...	...	...	1	1	1	1
25	NF704	Pedal rubber	...	...	...	...	...	...	2	2	2	2
26	F4369	Bolt ( $2\frac{1}{4}$ in. U.H.)	...	...	...	...	...	...	2	2	2	2
27	F4370	Plain washer	...	...	...	...	...	...	2	2	2	2
28	DS47	Nut	...	...	...	...	...	...	2	2	2	2
29	F5087	Left pillion footrest support	...	...	...	...	...	...	1	1	1	1
30	F5088	Right pillion footrest support	...	...	...	...	...	...	1	1	1	1
31	E1396	Stud ( $\frac{1}{4}$ in. O.A.)	...	...	...	...	...	...	4	4	4	4
32	S26-3	Spring washer	...	...	...	...	...	...	4	4	4	4
33	S1-51	Nut	...	...	...	...	...	...	4	4	4	4
34	F4327	PILLION FOOTREST	...	...	...	...	...	...	2	2	2	2
35	F2268	Footrest hanger	...	...	...	...	...	...	2	2	2	2
36	F4309	Stud ( $1\frac{3}{8}$ in. O.A.)	...	...	...	...	...	...	2	2	2	2
37	S26-1	Spring washer	...	...	...	...	...	...	2	2	2	2
38	PO172A	Nut	...	...	...	...	...	...	2	2	2	2
39	F1694	Pedal	...	...	...	...	...	...	2	2	2	2
40	F2271	Pivot bolt	...	...	...	...	...	...	2	2	2	2
41	F2277	Spring washer	...	...	...	...	...	...	2	2	2	2
42	S1-51	Nut	...	...	...	...	...	...	2	2	2	2
43	F1695	Pedal rubber	...	...	...	...	...	...	2	2	2	2
44	F4284	Brake pedal spindle	...	...	...	...	...	...	1	1	1	1
45	SCZ45	Spring washer	...	...	...	...	...	...	1	1	1	1
46	DS48	Nut	...	...	...	...	...	...	1	1	1	1
47	F4314	Brake pedal	...	...	...	...	...	...	1	1	1	1
48	S26-16	Spring washer	...	...	...	...	...	...	1	1	1	1
49	S25-2	Plain washer	...	...	...	...	...	...	1	1	1	1
50	S1-52	Nut	...	...	...	...	...	...	1	1	1	1
51	F1149	Pedal stop screw ( $\frac{1}{8}$ in. U.H.)	...	...	...	...	...	...	1	1	1	1
52	F879	Nut	...	...	...	...	...	...	1	1	1	1

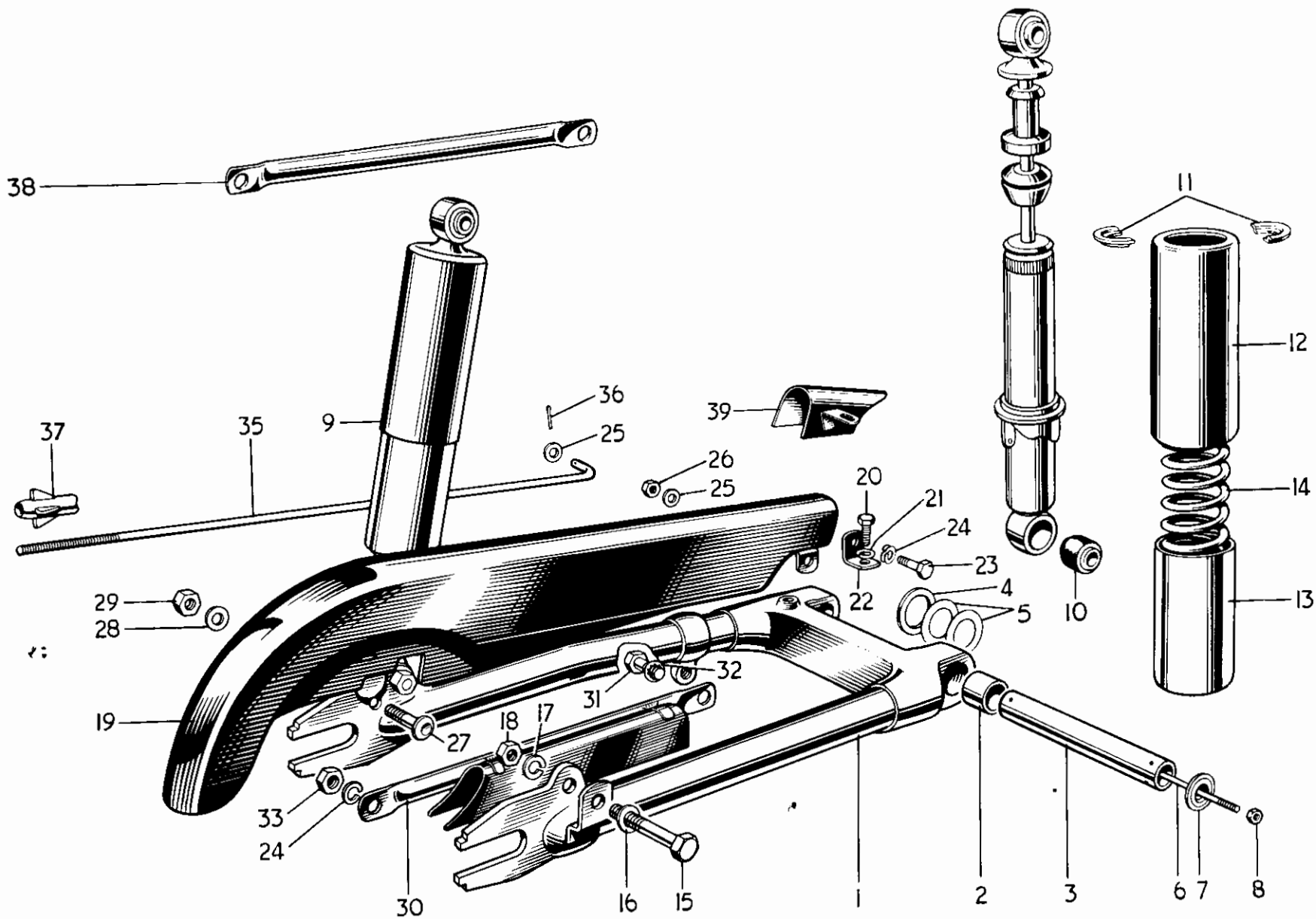


Fig. 13. SWINGING FORK, SUSPENSION UNITS AND CHAINGUARD

## SWINGING FORK, SUSPENSION UNITS AND CHAINGUARD

									3TA	5TA	T90	T100SS
1	F4190	SWINGING FORK	...	...	...	...	...	...	1	1	1	1
2	F4076	Pivot bush	...	...	...	...	...	...	2	2	2	2
3	F4195	Spindle	...	...	...	...	...	...	1	1	1	1
4	F4078	Spacing washer	...	...	...	...	...	...	1	1	1	1
5	F4385	Shim 0.003 in.	...	...	...	...	...	...	as required			
5	F4386	Shim 0.005 in.	...	...	...	...	...	...	as required			
6	F3797	Retainer rod	...	...	...	...	...	...	1	1	1	1
7	F4196	Cap	...	...	...	...	...	...	2	2	2	2
8	F3799	Nut	...	...	...	...	...	...	2	2	2	2
9	64053946	SUSPENSION UNIT	...	...	...	...	...	...	2	-	2	2
10	9054/316A	Bonded bush	...	...	...	...	...	...	4	4	4	4
11	9054/171	Spring retainer	...	...	...	...	...	...	4	4	4	4
12	9054/151	Outer dirt shield	...	...	...	...	...	...	2	2	2	2
13	9054/47	Inner dirt shield	...	...	...	...	...	...	2	2	2	2
14	64539963	Spring, 130 lbs. Red/Orange	...	...	...	...	...	...	2	2	2	2
14	9054/277	Spring, 110 lbs. Red/Red	...	...	...	...	...	...	A	A	A	A
14	SA253/5	Spring, 145 lbs. Blue/Yellow	...	...	...	...	...	...	A	A	A	A
15	E2113	Unit fixing bolt (1 $\frac{1}{16}$ in. U.H.)	...	...	...	...	...	...	4	4	4	4
16	F2184	Plain washer	...	...	...	...	...	...	2	2	2	2
17	S26-1	Spring washer	...	...	...	...	...	...	2	2	2	2
18	PO172A	Nut	...	...	...	...	...	...	2	2	2	2
19	F5409	Upper chainguard	...	...	...	...	...	...	1	1	1	1
20	DS57	Bolt ( $\frac{7}{16}$ in. U.H.)	...	...	...	...	...	...	1	1	1	1
21	S26-2	Spring washer	...	...	...	...	...	...	1	1	1	1
22	F4134	Front bracket	...	...	...	...	...	...	1	1	1	1
23	F4135	Pivot bolt	...	...	...	...	...	...	1	1	1	1
24	F2277	Spring washer	...	...	...	...	...	...	1	1	1	1
25	S25-13	Plain washer	...	...	...	...	...	...	2	2	2	2
26	E5269	Nut	...	...	...	...	...	...	1	1	1	1
27	F4136	Stepped bolt	...	...	...	...	...	...	1	1	1	1
28	S25-3	Plain washer	...	...	...	...	...	...	1	1	1	1
29	S1-51	Nut	...	...	...	...	...	...	1	1	1	1
30	F4199	Lower chainguard	...	...	...	...	...	...	1	1	-	-
31	W840	Bolt (17/32 in. U.H.)	...	...	...	...	...	...	1	1	1	1
32	E2288	Serrated washer	...	...	...	...	...	...	1	1	1	1
33	DS47	Nut	...	...	...	...	...	...	1	1	1	1
34	PCW73A	Spring washer	...	...	...	...	...	...	1	1	1	1
35	F3597	Brake operating rod	...	...	...	...	...	...	1	1	1	1
36	$\frac{1}{16}$ in. x $\frac{3}{8}$ in.	Split pin	...	...	...	...	...	...	1	1	1	1
37	F4S85	Adjuster nut	...	...	...	...	...	...	1	1	1	1
38	F4201	Brake torque stay	...	...	...	...	...	...	-	-	1	1
39	F6046	Front chainguard	...	...	...	...	...	...	-	-	1	1







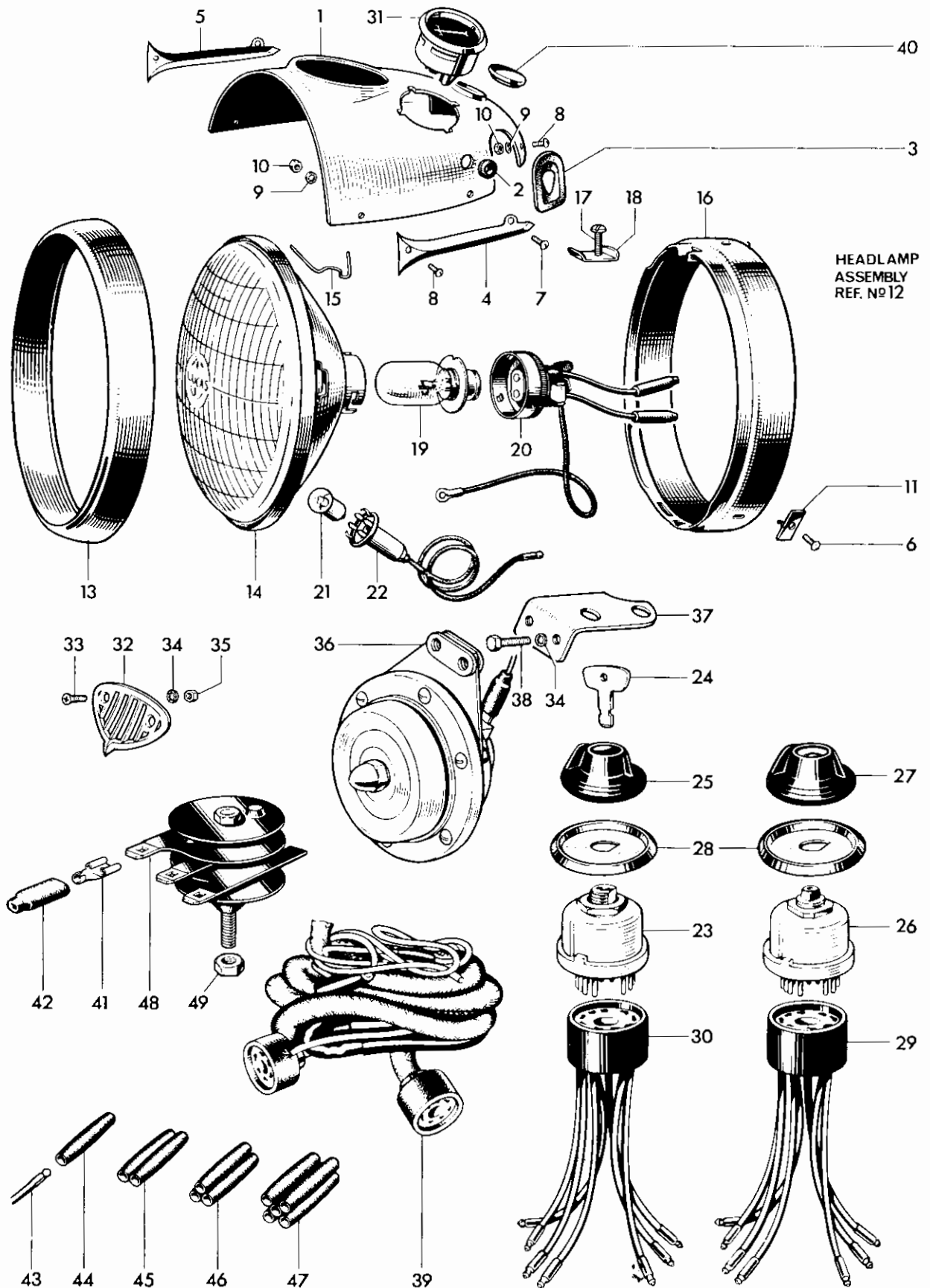


Fig. 15. NACELLE, HEADLAMP AND SWITCHES



FORK ASSEMBLY REF. N°1

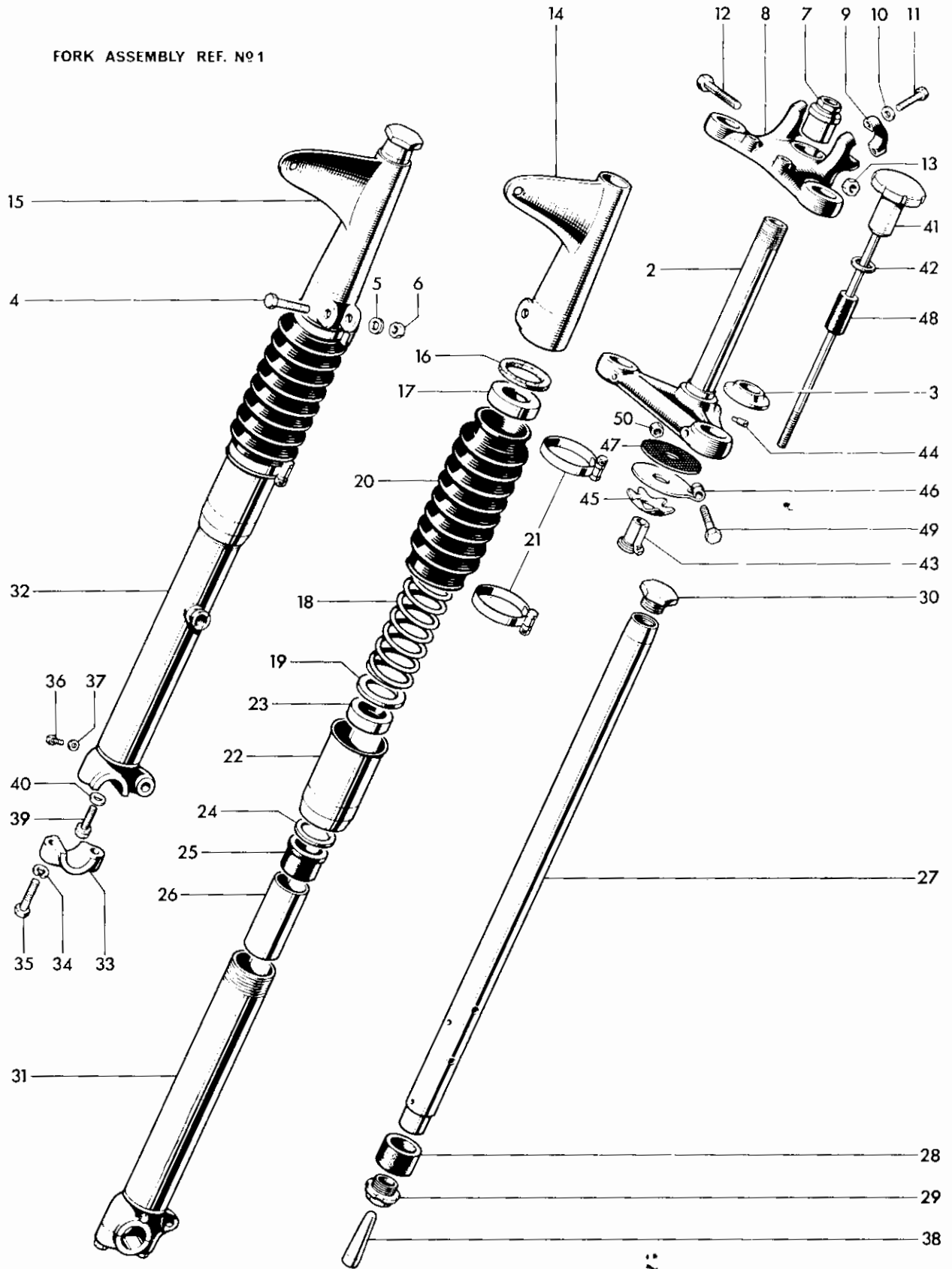


Fig. 16. TELESCOPIC FRONT FORK, T90 AND T100SS



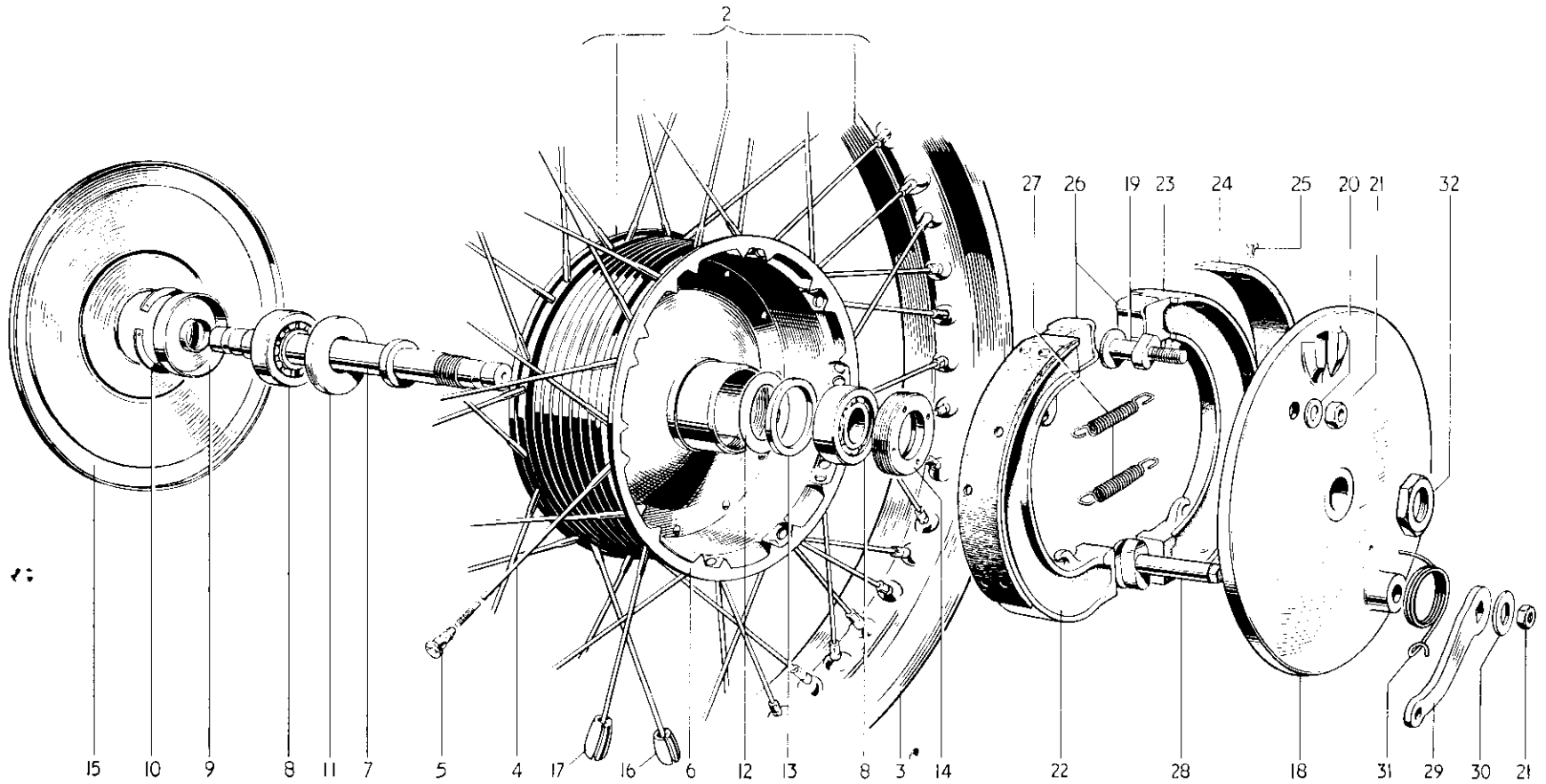


Fig. 17. FRONT WHEEL



## FRONT WHEEL

						3TA	5TA	T90	T100SS
1	W1311	FRONT WHEEL COMPLETE	...	...	...	1	1	1	1
1	W1398	FRONT WHEEL COMPLETE	...	...	...	-	-	1	1
2	W1273	RIM, SPOKES AND HUB ASSEMBLY	...	...	...	1	1	-	-
2	W1370	RIM, SPOKES AND HUB ASSEMBLY	...	...	...	-	-	1	1
3	W1274	Front wheel rim (WM2-17)	...	...	...	1	1	-	-
3	W1373	Front wheel rim (WM2-18)	...	...	...	-	-	1	1
4	W1275	Spoke (8/10G x 5 $\frac{1}{8}$ in. straight) c/w nipple	...	...	...	40	40	-	-
4	W1497	Spoke (8/10G x 5 $\frac{5}{8}$ in. straight) c/w nipple	...	...	...	-	-	40	40
5	S79-2	Spoke nipple	...	...	...	40	40	40	40
6	W1231	Hub and brake drum	...	...	...	1	1	1	1
7	W1239	Wheel spindle	...	...	...	1	1	1	1
8	W653	Bearing	...	...	...	2	2	2	2
9	W1237	Dust cover	...	...	...	1	1	1	1
10	T280	Circlip	...	...	...	1	1	1	1
11	W1481	Grease retainer	...	...	...	1	1	1	1
12	W1474	Grease retainer (Brake side)	...	...	...	1	1	1	1
13	W1238	Backing ring	...	...	...	1	1	1	1
14	W582	Retaining ring	...	...	...	1	1	1	1
15	W1334	Cover plate	...	...	...	1	1	1	1
16	W1197	Balance weight, $\frac{1}{2}$ oz.	...	...	...	as required			
17	W1198	Balance weight, 1 oz.	...	...	...	as required			
18	W1301	Brake anchor plate	...	...	...	1	1	1	1
19	W1302	Fulcrum pin	...	...	...	1	1	1	1
20	S25-2	Plain washer	...	...	...	1	1	1	1
21	S1-52	Nut	...	...	...	2	2	2	2
22	W1406	LEADING BRAKE SHOE C/W LINING	...	...	...	1	1	1	1
23	W1407	TRAILING BRAKE SHOE C/W LINING	...	...	...	1	1	1	1
24	NW243	Brake lining	...	...	...	2	2	2	2
25	W129	Brass rivet	...	...	...	16	16	16	16
26	W1415	Thrust pad	...	...	...	2	2	2	2
27	W135	Shoe return spring	...	...	...	2	2	2	2
28	W1243	Brake cam	...	...	...	1	1	1	1
29	W1298X	Brake cam lever	...	...	...	1	1	1	1
30	S25-6	Plain washer	...	...	...	1	1	1	1
31	W592	Lever return spring	...	...	...	1	1	1	1
32	W1246	Anchor plate nut	...	...	...	1	1	1	1

ASSEMBLY REF. No. 1

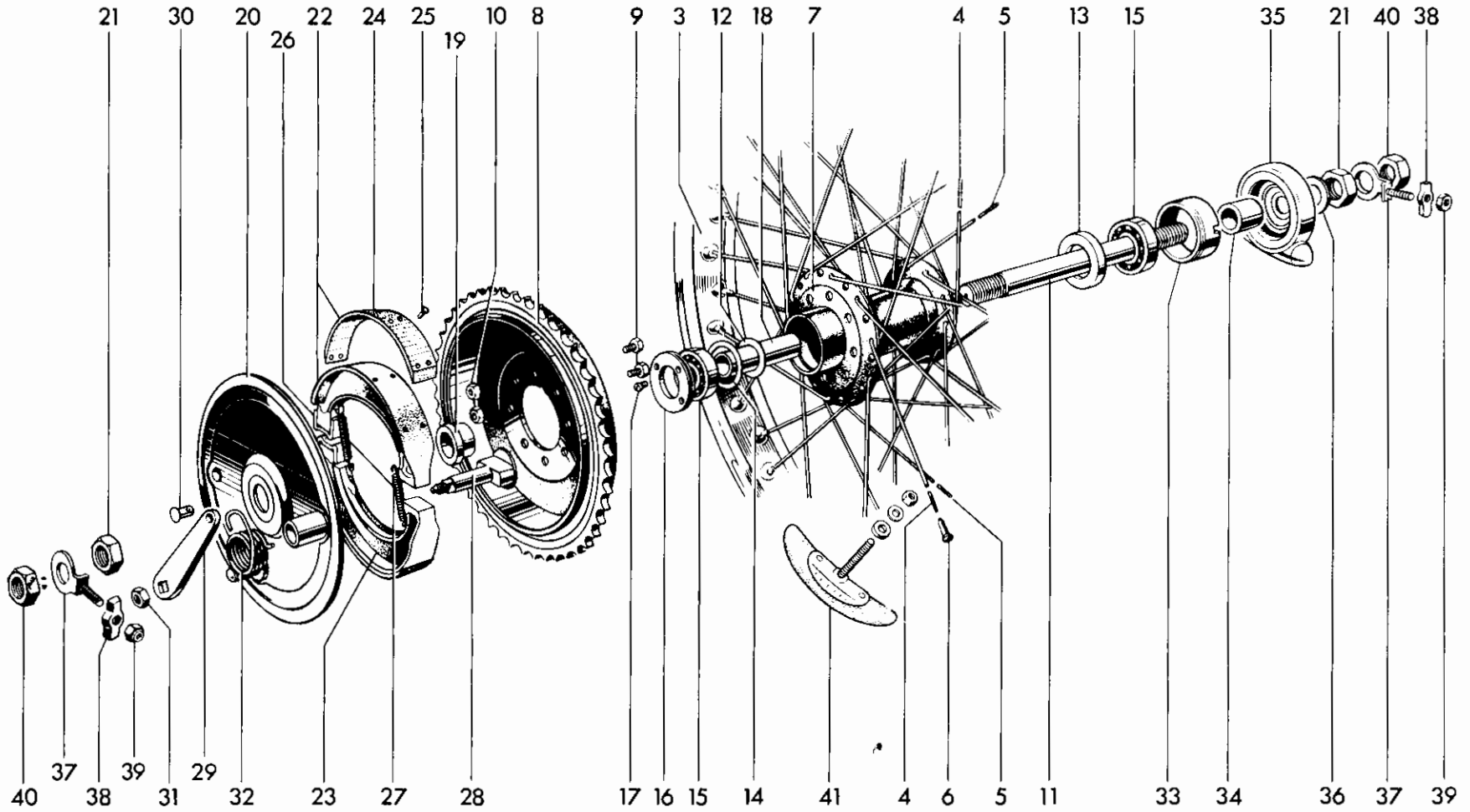


Fig. 18. REAR WHEEL



## REAR WHEEL

			3TA	5TA	T90	T100SS
1	W1579	REAR WHEEL COMPLETE ... ..	1	1	-	-
1	W1484	REAR WHEEL COMPLETE ... ..	-	-	1	1
2	W1483	RIM, SPOKES AND HUB ASSEMBLY ... ..	1	1	-	-
2	W1470	RIM, SPOKES AND HUB ASSEMBLY ... ..	-	-	1	1
3	W1435	Rear wheel rim WM2-17 ... ..	1	1	-	-
3	W1471	Rear wheel rim WM2-18 ... ..	-	-	1	1
4	W1271	Spoke (8/10G x 7 $\frac{1}{8}$ in.90°) c/w nipple ... ..	20	20	-	-
4	W1107	Spoke (8/10G x 7 $\frac{7}{8}$ in.90°) c/w nipple ... ..	-	-	20	20
5	W1377	Spoke (8/10G x 7 $\frac{3}{8}$ in.90°) c/w nipple ... ..	20	20	-	-
5	W1108	Spoke (8/10G x 7 $\frac{7}{8}$ in.90°) c/w nipple ... ..	-	-	20	20
6	S79-2	Spoke nipple ... ..	40	40	40	40
7	W1472	Hub ... ..	1	1	1	1
8	W951	Sprocket and brake drum 46T ... ..	1	1	1	1
9	W62	Sprocket to hub bolt ( $\frac{1}{8}$ in. U.H.) ... ..	8	8	8	8
10	W1495	Self locking nut ... ..	8	8	8	8
11	W1281	Wheel spindle ... ..	1	1	1	1
12	W1474	Grease retainer (brake side) ... ..	1	1	1	1
13	W583	Grease retainer ... ..	1	1	1	1
14	W1022	Backing ring ... ..	1	1	1	1
15	W653	Bearing ... ..	2	2	2	2
16	W1021	RETAINING RING ... ..	1	1	1	1
17	W1079	Locking screw ( $\frac{3}{8}$ in. U.H.) ... ..	1	1	1	1
18	W1278	Distance tube ... ..	1	1	1	1
19	W1024	Distance piece ... ..	1	1	1	1
20	W1112	Brake anchor plate ... ..	1	1	1	1
21	W1282	Nut ... ..	2	2	2	2
22	W1406	LEADING BRAKE SHOE C/W LINING ... ..	1	1	1	1
23	W1407	TRAILING BRAKE SHOE C/W LINING ... ..	1	1	1	1
24	NW243	Brake lining ... ..	2	2	2	2
25	W129	Brass rivet ... ..	16	16	16	16
26	W1415	Thrust pad ... ..	2	2	2	2
27	W135	Shoe return spring ... ..	2	2	2	2
28	W1083	Brake cam ... ..	1	1	1	1
29	W1466	Brake cam lever ... ..	1	1	1	1
30	W1467	Pivot pin ... ..	1	1	1	1
31	S1-52	Nut ... ..	1	1	1	1
32	W1090	Lever return spring ... ..	1	1	1	1
33	W1476	Speedometer adaptor ... ..	1	1	1	1
34	W1477	Distance piece ... ..	1	1	1	1
35	D544	Speedometer gearbox (green washer) ... ..	1	1	-	-
35	D373	Speedometer gearbox ... ..	-	-	1	1
36	W1280	Plain washer ... ..	1	1	1	1
37	W1134	Chain adjuster ... ..	2	2	2	2
38	W1015	Adjuster end plate ... ..	2	2	2	2
39	W1058	Self-locking nut ... ..	2	2	2	2
40	F1747	Spindle nut ... ..	2	2	2	2
41	D106	Tyre security bolt ... ..	-	-	2	2

ASSEMBLY REF. No. 1

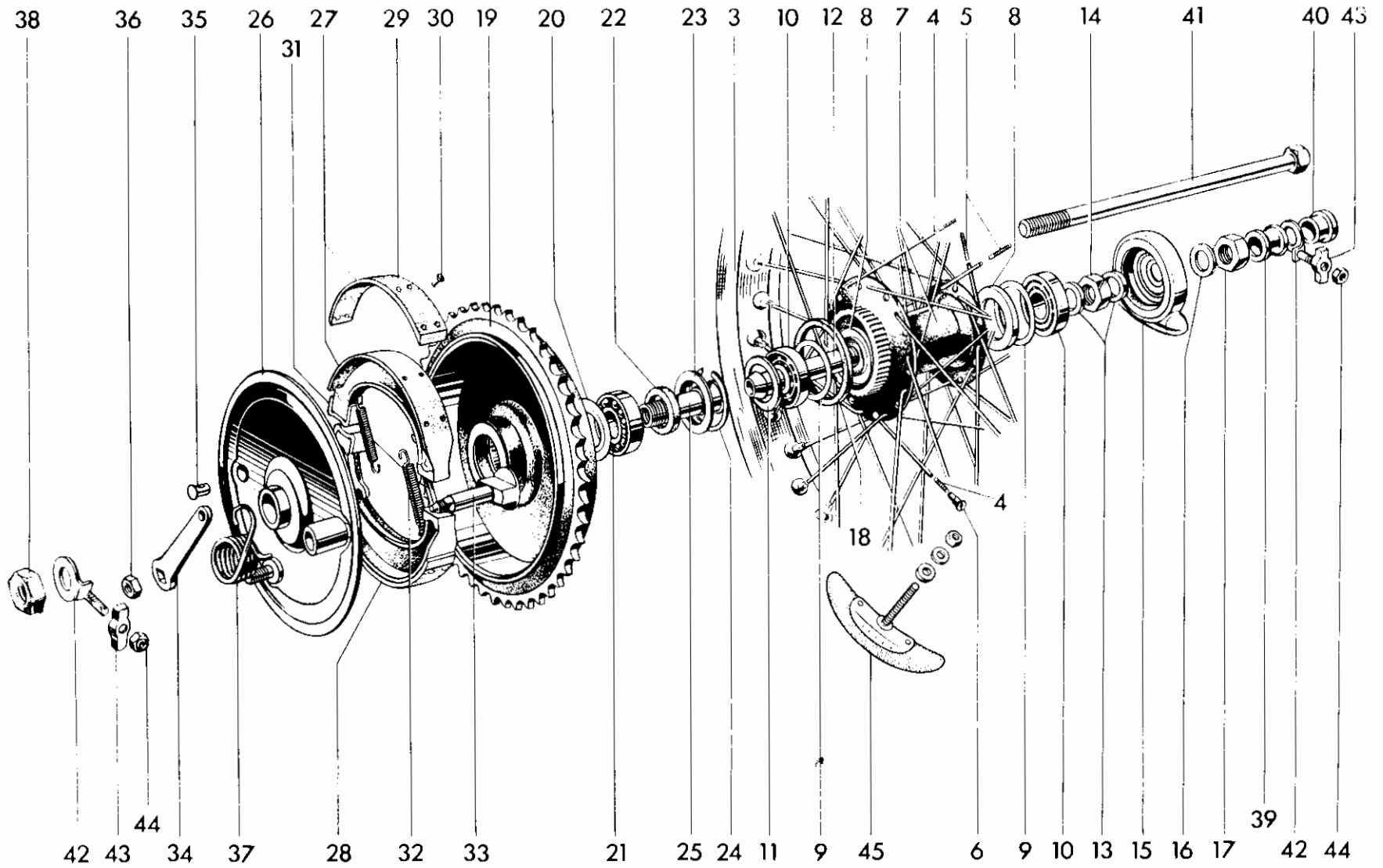


Fig. 19. QUICKLY DETACHABLE REARWHEEL

**QUICKLY DETACHABLE REAR WHEEL**

						3TA	5TA	T90	T100SS
1	W1587	Q.D. REAR WHEEL COMPLETE ... ..	...	...	...	1	1	-	-
1	W1496	Q.D. REAR WHEEL COMPLETE ... ..	...	...	...	-	-	1	1
2	W1437	RIM, SPOKES AND HUB ASSEMBLY ... ..	...	...	...	1	1	-	-
2	W1427	RIM, SPOKES AND HUB ASSEMBLY ... ..	...	...	...	1	-	1	1
3	W1435	Rear wheel rim WM2-17 ... ..	...	...	...	1	1	-	-
3	W1007	Rear wheel rim WM3-18 ... ..	...	...	...	-	-	1	1
4	W1271	Spoke (8/10G x 7 $\frac{1}{8}$ in.90°) c/w nipple ... ..	...	...	...	20	20	-	-
4	W1107	Spoke (8/10G x 7 $\frac{3}{8}$ in.90°) c/w nipple ... ..	...	...	...	-	-	20	20
5	W1377	Spoke (8/10G x 7 $\frac{3}{8}$ in.90°) c/w nipple ... ..	...	...	...	20	20	-	-
5	W1108	Spoke (8/10G x 7 $\frac{3}{8}$ in.90°) c/w nipple ... ..	...	...	...	-	-	20	20
6	S79-2	Spoke nipple ... ..	...	...	...	40	40	40	40
7	W1388	Hub ... ..	...	...	...	1	1	1	1
8	W1480	Grease retainer ... ..	...	...	...	2	2	2	2
9	W1033	Backing ring ... ..	...	...	...	2	2	2	2
10	W1034	Taper roller bearing complete ... ..	...	...	...	2	2	2	2
11	W1035	Dust cap ... ..	...	...	...	1	1	1	1
12	W1390	Bearing sleeve ... ..	...	...	...	1	1	1	1
13	W1391	Distance piece ... ..	...	...	...	2	2	2	2
14	F1747	Nut ... ..	...	...	...	1	1	1	1
15	D544	Speedometer gearbox (green washer) ... ..	...	...	...	1	1	-	-
15	D373	Speedometer gearbox ... ..	...	...	...	-	-	1	1
16	W1280	Plain washer ... ..	...	...	...	1	1	1	1
17	E398	Nut ... ..	...	...	...	1	1	1	1
18	W1091	Rubber sealing ring ... ..	...	...	...	1	1	1	1
19	W1040	Sprocket and brake drum 46T ... ..	...	...	...	1	1	1	1
20	W1143	Grease retainer ... ..	...	...	...	1	1	1	1
21	W1041	Bearing ... ..	...	...	...	1	1	1	1
22	W1042	Felt washer ... ..	...	...	...	1	1	1	1
23	W1043	Bearing and felt retainer ... ..	...	...	...	1	1	1	1
24	W1044	Circlip ... ..	...	...	...	1	1	1	1
25	W1393	Bearing sleeve ... ..	...	...	...	1	1	1	1
26	W1395	Brake anchor plate ... ..	...	...	...	1	1	1	1
27	W1046	LEADING BRAKE SHOE C/W LINING ... ..	...	...	...	1	1	1	1
28	W1407	TRAILING BRAKE SHOE C/W LINING ... ..	...	...	...	1	1	1	1
29	NW243	Brake lining ... ..	...	...	...	2	2	2	2
30	W129	Brass rivet ... ..	...	...	...	16	16	16	16
31	W1415	Thrust pad ... ..	...	...	...	2	2	2	2
32	W135	Shoe return spring ... ..	...	...	...	2	2	2	2
33	W1083	Brake cam ... ..	...	...	...	1	1	1	1
34	W1466	Brake cam lever ... ..	...	...	...	1	1	1	1
35	W1467	Pivot pin ... ..	...	...	...	1	1	1	1
36	S1-S2	Nut ... ..	...	...	...	1	1	1	1
37	W1090	Lever return spring ... ..	...	...	...	1	1	1	1
38	W1052	Nut ... ..	...	...	...	1	1	1	1
39	W1392	Inner distance piece ... ..	...	...	...	1	1	1	1
40	W1170	Outer distance piece ... ..	...	...	...	1	1	1	1
41	W1055	Spindle ... ..	...	...	...	1	1	1	1
42	W1135	Chain adjuster ... ..	...	...	...	2	2	2	2
43	W1015	Adjuster end plate ... ..	...	...	...	2	2	2	2
44	W1058	Self-locking nut ... ..	...	...	...	2	2	2	2
45	WM3	Tyre security bolt ... ..	...	...	...	-	-	1	1

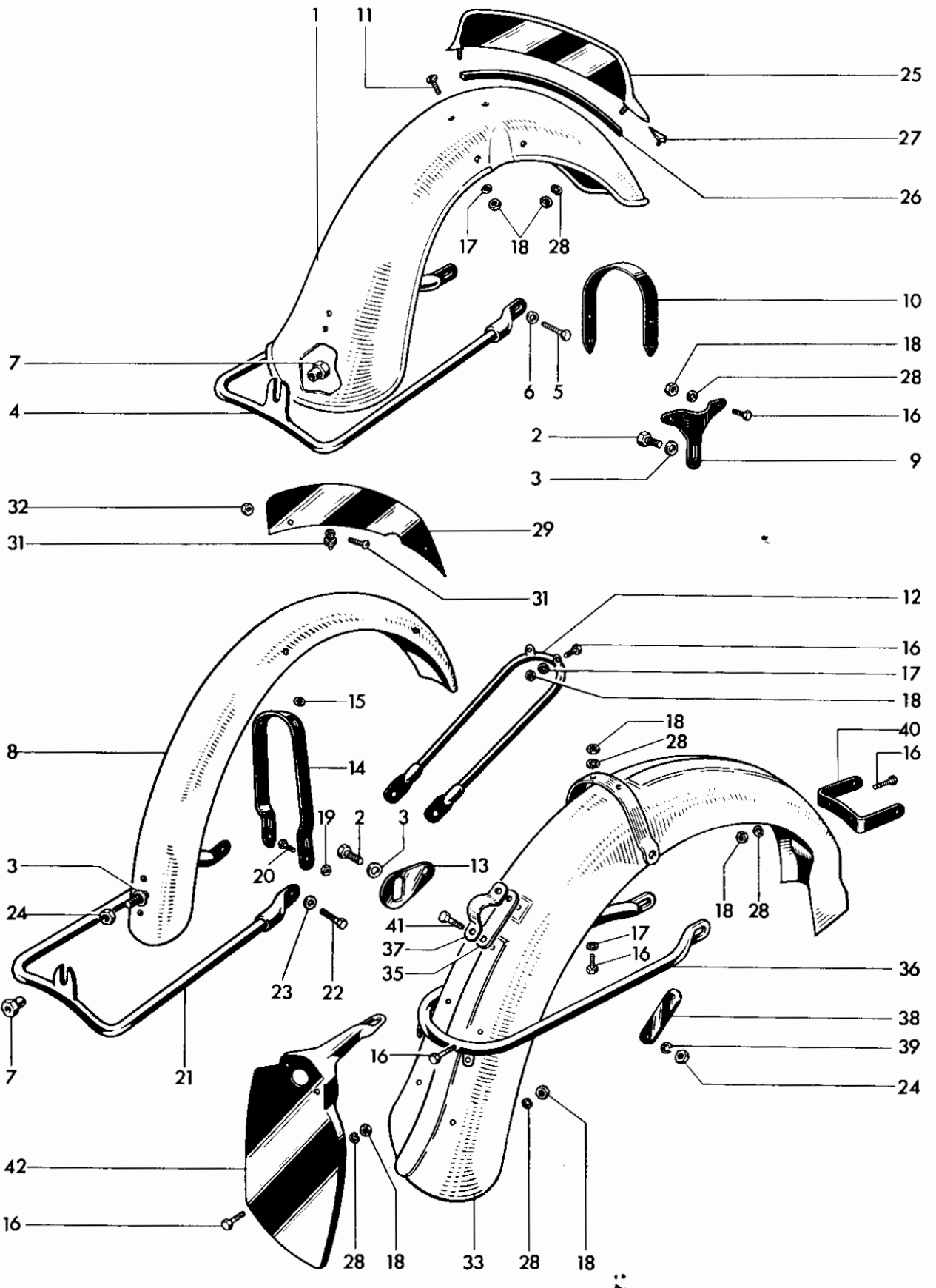


Fig. 20. MUDGUARDS



## MUDGUARDS

									3TA	5TA	T90	T100SS
1	H1689	Front mudguard	...	...	...	...	...	...	1	1	-	-
2	F929	Bolt ( $\frac{1}{2}$ in. U.H.)	...	...	...	...	...	...	2	2	2	2
3	F4299	Plain washer	...	...	...	...	...	...	4	4	5	5
4	H1100	Bottom stay	...	...	...	...	...	...	1	1	-	-
5	W62	Bolt ( $\frac{1}{8}$ in. U.H.)	...	...	...	...	...	...	2	2	-	-
6	S25-2	Plain washer	...	...	...	...	...	...	2	2	-	-
7	NS362	Spigot nut	...	...	...	...	...	...	1	1	1	1
8	H1675	Mudguard blade	...	...	...	...	...	...	-	-	1	1
9	H1540	Bracket	...	...	...	...	...	...	2	2	-	-
10	H1538	Mudguard bridge	...	...	...	...	...	...	2	2	-	-
11	F5001	Bolt ( $\frac{9}{16}$ in. U.H.)	...	...	...	...	...	...	5	5	-	-
12	H1681	Front stay	...	...	...	...	...	...	-	-	1	1
13	H1685	Bracket	...	...	...	...	...	...	-	-	2	2
14	H1683	Mudguard bridge	...	...	...	...	...	...	-	-	1	1
15	WE170	Fibre washer	...	...	...	...	...	...	-	-	2	2
16	DS57	Bolt ( $\frac{7}{8}$ in. U.H.)	...	...	...	...	...	...	12	12	10	10
17	S2S-1	Plain washer	...	...	...	...	...	...	7	7	6	6
18	F879	Nut	...	...	...	...	...	...	17	17	12	12
19	T224	Nut	...	...	...	...	...	...	-	-	2	2
20	DSSS	Bolt ( $\frac{1}{2}$ in. U.H.)	...	...	...	...	...	...	-	-	2	2
21	H1482	Bottom stay	...	...	...	...	...	...	-	-	1	1
22	H424	Bolt ( $\frac{39}{64}$ in. U.H.)	...	...	...	...	...	...	-	-	2	2
23	S25-71	Plain washer	...	...	...	...	...	...	-	-	2	2
24	S1-51	Nut	...	...	...	...	...	...	2	2	3	3
25	F2698	Number plate	...	...	...	...	...	...	1	1	-	-
26	H251	Plastic beading	...	...	...	...	...	...	1	1	-	-
27	F4332	Packing piece	...	...	...	...	...	...	1	1	-	-
28	S26-2	Spring washer	...	...	...	...	...	...	10	10	6	6
29	F2996	Number plate	...	...	...	...	...	...	-	-	1	1
30	H741	Clip assembly	...	...	...	...	...	...	-	-	2	2
31	H687	Screw ( $\frac{3}{8}$ in. U.H.)	...	...	...	...	...	...	-	-	2	2
32	H745	Nut	...	...	...	...	...	...	-	-	2	2
33	F5963	Mudguard blade	...	...	...	...	...	...	1	1	-	-
33	F5984	Mudguard blade	...	...	...	...	...	...	-	-	1	1
34	F4860	Mudguard bridge	...	...	...	...	...	...	1	1	1	1
35	F5995	Packing strip	...	...	...	...	...	...	1	1	-	-
36	F5424	Lifting handle	...	...	...	...	...	...	1	1	1	1
37	F5994	Clip	...	...	...	...	...	...	1	1	1	1
38	F6031	Backing plate	...	...	...	...	...	...	1	1	1	1
39	S26-3	Spring washer	...	...	...	...	...	...	4	4	2	2
40	F5962	Bracket	...	...	...	...	...	...	1	1	-	-
40	F3599	Bracket	...	...	...	...	...	...	-	-	1	1
41	DS55	Bolt ( $\frac{1}{2}$ in. U.H.)	...	...	...	...	...	...	2	2	-	-
41	H590	Bolt ( $\frac{9}{16}$ in. U.H.)	...	...	...	...	...	...	-	-	2	2
42	F5924	Number plate	...	...	...	...	...	...	1	1	1	1
43	D261	Licence holder	...	...	...	...	...	...	1	1	1	1

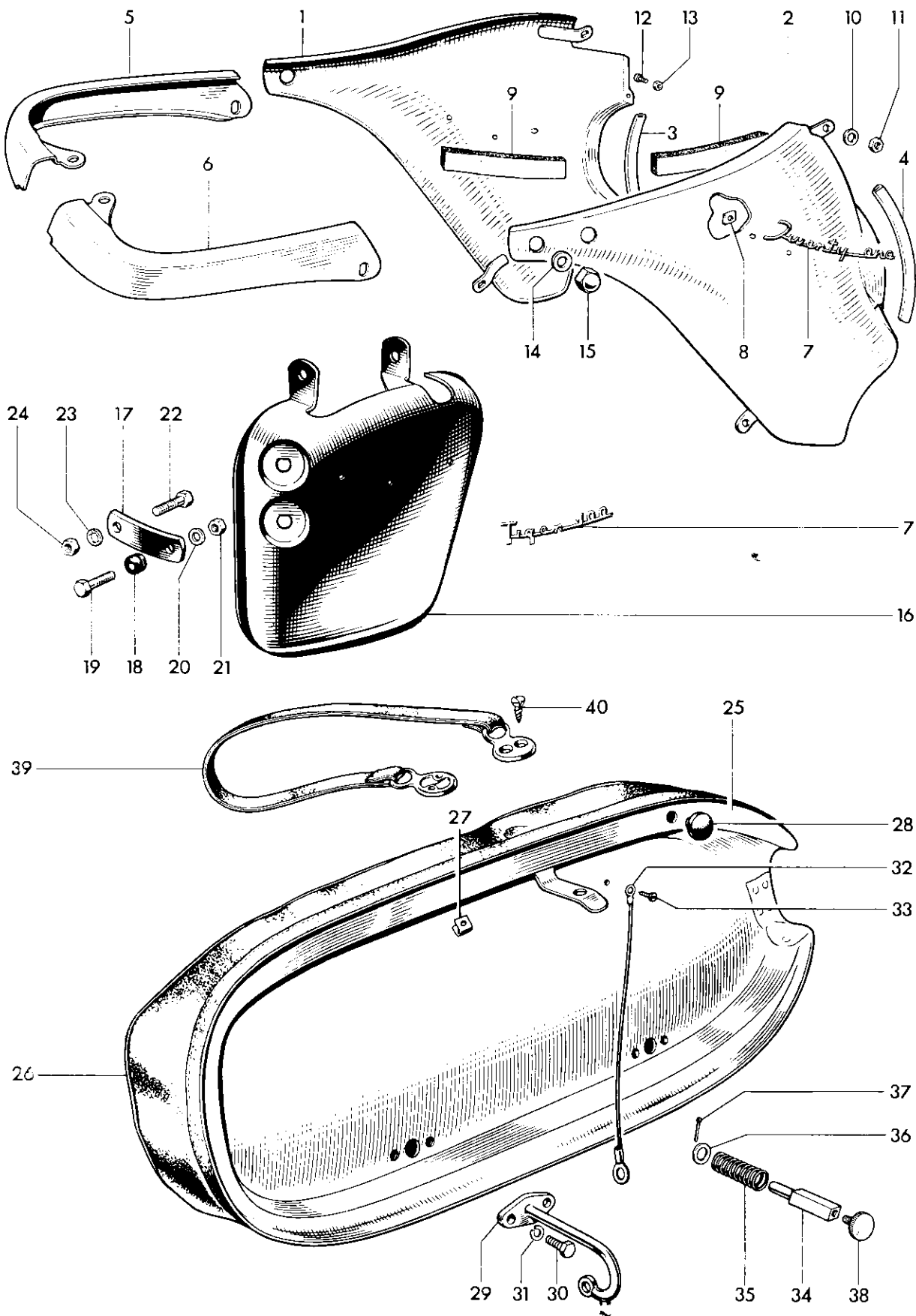


Fig. 21. PANELS AND TWINSEAT

## PANELS AND TWINSEAT

			3TA	5TA	T90	T100SS
1	F5978	Left panel ... ..	1	1	-	-
2	F5362	Right panel ... ..	1	1	-	-
3	F6104	Left beading ... ..	1	1	-	-
4	F6105	Right beading ... ..	1	1	-	-
5	F5323	Left valance ... ..	1	1	-	-
6	F5324	Right valance ... ..	1	1	-	-
7	F4312	Motif "Twentyone" ... ..	2	-	-	-
7	F4523	Motif "Speed Twin" ... ..	-	2	-	-
7	F5372	Motif "Tiger 90" ... ..	-	-	1	-
7	F4524	Motif "Tiger 100" ... ..	-	-	-	1
8	F4317	Spire nut ... ..	6	6	3	3
9	F5538	Rubber pad ... ..	2	2	-	-
10	S25-2	Plain washer ... ..	2	2	-	-
11	S1-S2	Nut ... ..	2	2	-	-
12	F4715	Screw (13/32 in. U.H.) ... ..	2	2	-	-
13	F4717	Self-locking nut ... ..	2	2	-	-
14	GS308	Plain washer ... ..	2	2	-	-
15	E4329	Domed nut ... ..	2	2	-	-
16	F5559	Switch panel ... ..	-	-	1	1
17	F5976	Link ... ..	-	-	1	1
18	F5466	Grommet ... ..	-	-	1	1
19	F1756	Bolt ( $\frac{3}{4}$ in. U.H.) ... ..	-	-	1	1
20	S25-43	Plain washer ... ..	-	-	1	1
21	E3290	Self-locking nut ... ..	-	-	1	1
22	F1369	Bolt ( $\frac{9}{8}$ in. U.H.) ... ..	-	-	1	1
23	E1612	Serrated washer ... ..	-	-	1	1
24	F879	Nut ... ..	-	-	1	1
25	F4239	TWINSEAT ... ..	1	1	1	1
26	F4244	Twinseat cover c/w clips ... ..	1	1	1	1
27	F4475	Clip ... ..	as required			
28	F4898	Rubber buffer ... ..	1	1	1	1
29	F4222	Hinge ... ..	2	2	2	2
30	DS57	Bolt ( $\frac{7}{8}$ in. U.H.) ... ..	4	4	4	4
31	S26-2	Spring washer ... ..	4	4	4	4
32	D374	Check wire ... ..	1	1	1	1
33	F4483	Self-tapping screw ... ..	1	1	1	1
34	F4226	Seat catch plunger ... ..	1	1	1	1
35	F4228	Spring ... ..	1	1	1	1
36	E1719A	Plain washer ... ..	1	1	1	1
37	3/32 in. x $\frac{1}{2}$ in.	Split pin ... ..	1	1	1	1
38	F4227	Knob ... ..	1	1	1	1
39	F4361	Safety strap ... ..	as required			
40	F4365	Self-tapping screw ... ..	4	4	4	4

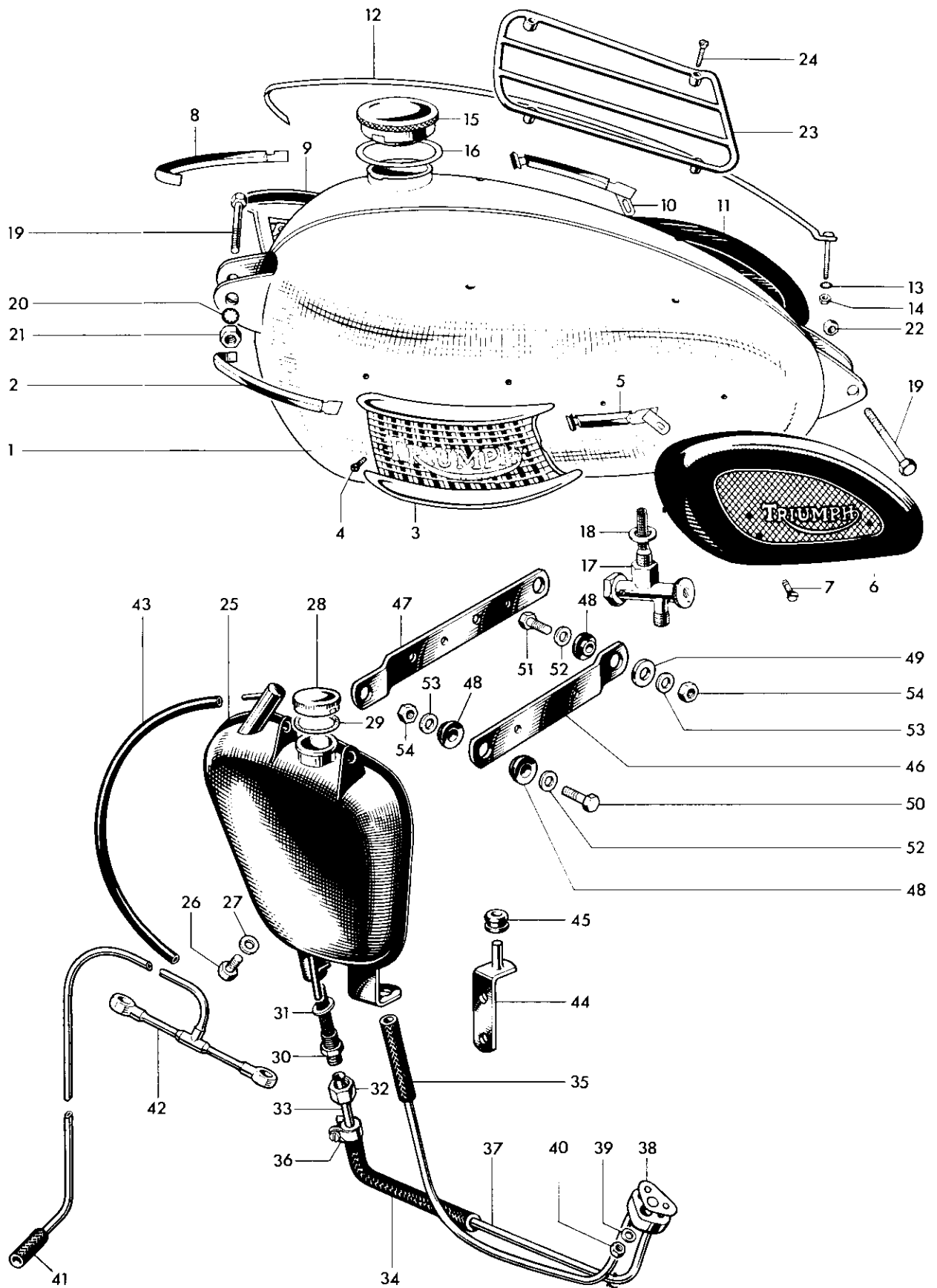


Fig. 22. PETROL AND OIL TANKS.



## PETROL AND OIL TANKS

									3TA	5TA	T90	T100SS
1	F5370	Petrol tank	...	...	...	...	...	...	1	1	1	1
2	F4235	Styling strip (Left front)	...	...	...	...	...	...	A	A	1	1
3	F4127	Styling unit (Left)	...	...	...	...	...	...	1	1	1	1
4	F4129	Styling unit screw (0.435 in. U.H.)	...	...	...	...	...	...	4	4	4	4
5	F4323	Styling strip (Left rear)	...	...	...	...	...	...	A	A	1	1
6	F2551	Knee grip (Left)	...	...	...	...	...	...	1	1	1	1
7	F1953	Knee grip screw ( $\frac{5}{8}$ in. U.H.)	...	...	...	...	...	...	4	4	4	4
8	F4237	Styling strip (Right front)	...	...	...	...	...	...	A	A	1	1
9	F4128	Styling unit (Right)	...	...	...	...	...	...	1	1	1	1
10	F4324	Styling strip (Right rear)	...	...	...	...	...	...	A	A	1	1
11	F2552	Knee grip (Right)	...	...	...	...	...	...	1	1	1	1
12	F4398	Centre styling strip	...	...	...	...	...	...	1	1	1	1
13	F4019	Serrated washer	...	...	...	...	...	...	1	1	1	1
14	H919	Nut	...	...	...	...	...	...	1	1	1	1
15	F3220	FILLER CAP	...	...	...	...	...	...	1	1	1	1
16	F4048	Joint washer	...	...	...	...	...	...	1	1	1	1
17	F1717	Petrol tap	...	...	...	...	...	...	1	1	1	1
18	F1511	Fibre washer	...	...	...	...	...	...	1	1	1	1
19	F4382	Bolt (3 1/32 in. U.H.)	...	...	...	...	...	...	2	2	2	2
20	E2288	Serrated washer	...	...	...	...	...	...	2	2	2	2
21	PO172A	Nut	...	...	...	...	...	...	1	1	1	1
22	W76	Nut	...	...	...	...	...	...	1	1	1	1
23	F3917	Parcel grid	...	...	...	...	...	...	1	1	1	1
24	F2936	Parcel grid screw	...	...	...	...	...	...	4	4	4	4
25	F5381	Oil tank	...	...	...	...	...	...	1	1	1	1
26	F5343	Drain plug	...	...	...	...	...	...	1	1	1	1
27	PT104B	Fibre washer	...	...	...	...	...	...	1	1	1	1
28	F3216	FILLER CAP	...	...	...	...	...	...	1	1	1	1
29	F4047	Joint washer	...	...	...	...	...	...	1	1	1	1
30	F3179	Oil tank filter	...	...	...	...	...	...	1	1	1	1
31	F1713	Fibre washer	...	...	...	...	...	...	1	1	1	1
32	F3182	Union nut	...	...	...	...	...	...	1	1	1	1
33	F6103	Upper feed pipe	...	...	...	...	...	...	1	1	1	1
34	E3353	Flexible connector, long	...	...	...	...	...	...	1	1	1	1
35	MF119	Flexible connector, short	...	...	...	...	...	...	1	1	1	1
36	E5473	Clip	...	...	...	...	...	...	4	4	4	4
37	E5434	Oil pipes and junction block	...	...	...	...	...	...	1	1	1	1
38	E3763	Joint washer	...	...	...	...	...	...	1	1	1	1
39	E3446	Plain washer	...	...	...	...	...	...	1	1	1	1
40	E1310	Nut	...	...	...	...	...	...	1	1	1	1
41	E3383	Rubber connector	...	...	...	...	...	...	1	1	1	1
42	E3805	Rocker oil feed pipe	...	...	...	...	...	...	1	1	1	1
43	T1579	Vent pipe	...	...	...	...	...	...	1	1	1	1
44	F5378	Bottom tank bracket	...	...	...	...	...	...	1	1	1	1
45	F5332	Rubber grommet	...	...	...	...	...	...	1	1	1	1
46	F5328	Front cross-bar	...	...	...	...	...	...	1	1	1	1
47	F5329	Rear cross-bar	...	...	...	...	...	...	1	1	1	1
48	F5247	Spigot rubber	...	...	...	...	...	...	6	6	6	6
49	F5248	Rubber washer	...	...	...	...	...	...	2	2	2	2
50	F5330	Bolt (31/32 in. U.H.)	...	...	...	...	...	...	2	2	2	2
51	F5331	Bolt (29/32 in. U.H.)	...	...	...	...	...	...	2	2	2	2
52	S25-2	Plain washer ( $\frac{3}{8}$ in.)	...	...	...	...	...	...	4	4	4	4
53	S25-3	Plain washer ( $\frac{5}{16}$ in.)	...	...	...	...	...	...	4	4	4	4
54	T224	Nut	...	...	...	...	...	...	4	4	4	4

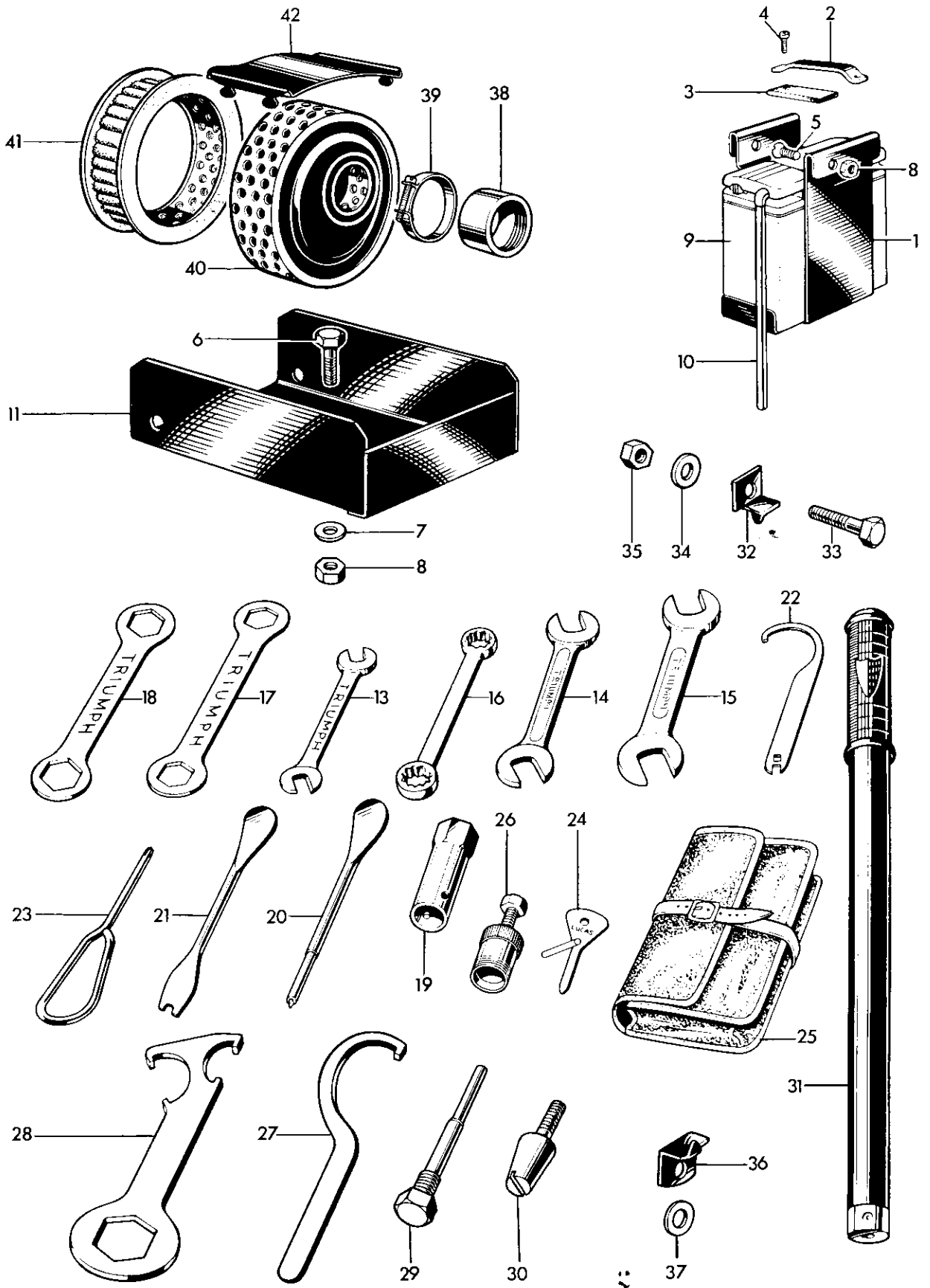


Fig. 23. BATTERY, TOOLKIT AND AIR FILTER

**BATTERY, TOOLKIT AND AIR FILTER**

									3TA	5TA	T90	T100SS
1	F5333	Battery carrier	...	...	...	...	...	...	1	1	1	1
2	F4661	Top strap	...	...	...	...	...	...	1	1	1	1
3	F4662	Packing rubber	...	...	...	...	...	...	1	1	1	1
4	E3200	Screw ( $\frac{1}{8}$ in. U.H.)	...	...	...	...	...	...	1	1	1	1
5	E3728	Screw (15/32 in. U.H.)	...	...	...	...	...	...	1	1	1	1
6	DS57	Bolt ( $\frac{7}{8}$ in. U.H.)	...	...	...	...	...	...	3	3	3	3
7	S25-1	Plain washer	...	...	...	...	...	...	3	3	3	3
8	F879	Nut	...	...	...	...	...	...	3	3	3	3
9	MLZ9E	Battery c/w lid	...	...	...	...	...	...	1	1	1	1
10	F4816	Plastic vent pipe	...	...	...	...	...	...	1	1	1	1
11	F5665	Tool tray	...	...	...	...	...	...	1	1	1	1
12	D446	TOOL KIT	...	...	...	...	...	...	1	1	1	1
13	D360	Open spanner, $\frac{1}{8}$ in. x 5/32 in. whit.	...	...	...	...	...	...	1	1	1	1
14	NA55	Open spanner, $\frac{1}{4}$ in. x $\frac{5}{16}$ in. whit.	...	...	...	...	...	...	1	1	1	1
15	DA16	Open spanner, $\frac{3}{8}$ in. x $\frac{7}{16}$ in. whit.	...	...	...	...	...	...	1	1	1	1
16	D370	Ring spanner, $\frac{7}{16}$ in. x $\frac{1}{4}$ in. whit.	...	...	...	...	...	...	1	1	1	1
17	PA57	Ring spanner, $\frac{1}{2}$ in. x $\frac{7}{16}$ in. whit.	...	...	...	...	...	...	1	1	1	1
18	D311	Ring spanner, $\frac{5}{8}$ in. x $\frac{1}{8}$ in. whit.	...	...	...	...	...	...	1	1	1	1
19	D87	Box spanner, spark plug	...	...	...	...	...	...	1	1	1	1
20	D363	Tyre lever and tommy bar	...	...	...	...	...	...	1	1	1	1
21	D364	Tyre lever and clutch key	...	...	...	...	...	...	1	1	1	1
22	D362	"C" spanner and tappet key	...	...	...	...	...	...	1	1	1	1
23	D336	Phillips No. 3 screwdriver	...	...	...	...	...	...	1	1	1	1
24	400935	Ignition screwdriver and feeler gauge	...	...	...	...	...	...	1	1	1	1
25	WA58	Tool roll	...	...	...	...	...	...	1	1	1	1
26	DA50/1	Clutch hub extractor	...	...	...	...	...	...	A	A	A	A
27	D527	Fork spanner (for sleeve nut)	...	...	...	...	...	...	A	A	A	A
28	D220	Fork spanner (for cap nut)	...	...	...	...	...	...	A	A	A	A
29	D484	Contact breaker extractor	...	...	...	...	...	...	A	A	A	A
30	D486	Contact breaker assembly pilot	...	...	...	...	...	...	A	A	A	A
31	D296	Tyre inflator	...	...	...	...	...	...	1	1	1	1
32	F5432	Inflator top bracket	...	...	...	...	...	...	1	1	1	1
33	F1369	Bolt ( $\frac{5}{8}$ in. U.H.)	...	...	...	...	...	...	1	1	1	1
34	S25-43	Plain washer	...	...	...	...	...	...	1	1	1	1
35	S1-40	Nut	...	...	...	...	...	...	1	1	1	1
36	F5433	Inflator bottom bracket	...	...	...	...	...	...	1	1	1	1
37	S25-3	Plain washer	...	...	...	...	...	...	1	1	1	1
38	E5194	Adaptor	...	...	...	...	...	...	1	1	-	-
38	F4812	Adaptor	...	...	...	...	...	...	-	-	1	1
39	F5625	Clip	...	...	...	...	...	...	1	1	1	1
40	F5334	AIR FILTER	...	...	...	...	...	...	1	1	1	1
41	F4811	Filter element (felt)	...	...	...	...	...	...	1	1	1	1
42	F4964	Water deflector	...	...	...	...	...	...	-	-	1	1

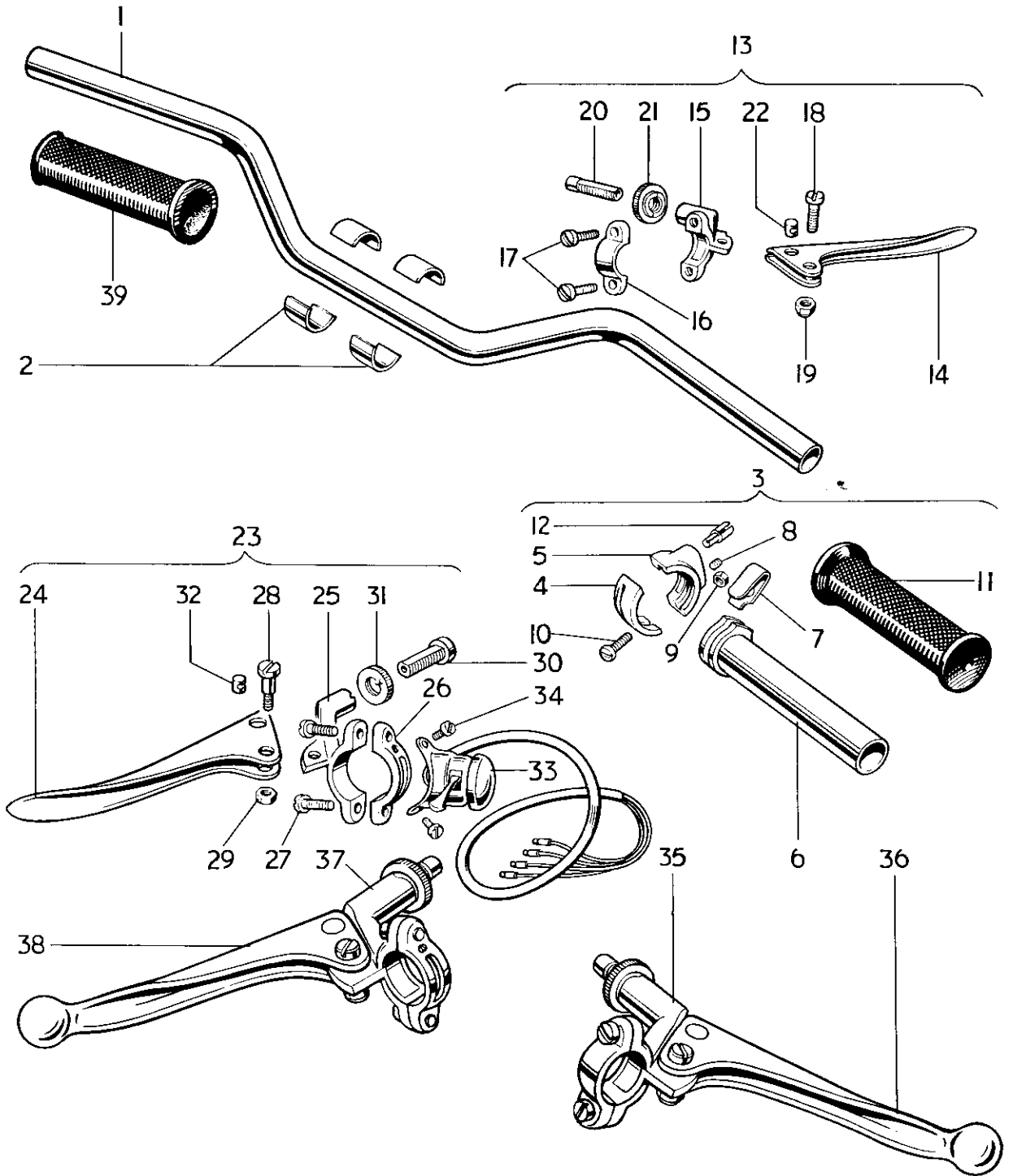


Fig. 24. HANDLEBARS AND CONTROL LEVERS

**HANDLEBARS AND CONTROL LEVERS**

										3TA	5TA	T90	T100SS
1	H1484	Handlebar	...	...	...	...	...	...	...	1	1	-	-
1	H527	Handlebar	...	...	...	...	...	...	...	-	-	1	1
1	H1694	American handlebar	...	...	...	...	...	...	...	1	1	-	-
1	H1519	American handlebar	...	...	...	...	...	...	...	-	-	1	1
2	H1425	Packing piece	...	...	...	...	...	...	...	4	4	4	4
3	16/417	TWISTGRIP	...	...	...	...	...	...	...	1	1	1	1
4	16/328	Body top half	...	...	...	...	...	...	...	1	1	1	1
5	16/329	Body bottom half	...	...	...	...	...	...	...	1	1	1	1
6	16/091	Rotor	...	...	...	...	...	...	...	1	1	1	1
7	16/008	Friction spring	...	...	...	...	...	...	...	1	1	1	1
8	16/009	Friction spring screw	...	...	...	...	...	...	...	1	1	1	1
9	16/010	Nut	...	...	...	...	...	...	...	1	1	1	1
10	11/014	Screw	...	...	...	...	...	...	...	2	2	2	2
11	16/070	Handlebar grip	...	...	...	...	...	...	...	1	1	1	1
12	16/011	Cable stop	...	...	...	...	...	...	...	1	1	1	1
13	18/995	FRONT BRAKE LEVER ASSEMBLY	...	...	...	...	...	...	...	1	1	1	1
14	18/535	Brake lever	...	...	...	...	...	...	...	1	1	1	1
15	18/912	Brake lever bracket	...	...	...	...	...	...	...	1	1	1	1
16	12/040	Clamp	...	...	...	...	...	...	...	1	1	1	1
17	11/014	Screw	...	...	...	...	...	...	...	2	2	2	2
18	18/087	Fulcrum screw	...	...	...	...	...	...	...	1	1	1	1
19	18/053	Self-locking nut	...	...	...	...	...	...	...	1	1	1	1
20	18/838	Cable adjuster	...	...	...	...	...	...	...	1	1	1	1
21	18/839	Thumb nut	...	...	...	...	...	...	...	1	1	1	1
22	18/880	Barrel nipple	...	...	...	...	...	...	...	1	1	1	1
23	18/996	CLUTCH LEVER ASSEMBLY	...	...	...	...	...	...	...	1	1	1	1
24	18/528	Clutch lever	...	...	...	...	...	...	...	1	1	1	1
25	18/913	Clutch lever bracket	...	...	...	...	...	...	...	1	1	1	1
26	18/910	Clamp (H668A)	...	...	...	...	...	...	...	1	1	1	1
27	61/004	Screw	...	...	...	...	...	...	...	2	2	2	2
28	18/087	Fulcrum screw	...	...	...	...	...	...	...	1	1	1	1
29	18/053	Self-locking nut	...	...	...	...	...	...	...	1	1	1	1
30	18/838	Cable adjuster	...	...	...	...	...	...	...	1	1	1	1
31	18/839	Thumb nut	...	...	...	...	...	...	...	1	1	1	1
32	18/880	Barrel nipple	...	...	...	...	...	...	...	1	1	1	1
33	31S63	Horn push and dip switch	...	...	...	...	...	...	...	1	1	1	1
34	H689	Screw ( $\frac{1}{4}$ in. U.H.)	...	...	...	...	...	...	...	2	2	2	2
35	18/935	FRONT BRAKE LEVER ASSEMBLY (Ball-end)	...	...	...	...	...	...	...	A	A	A	A
36	18/754	Brake lever (Ball-end)	...	...	...	...	...	...	...	A	A	A	A
37	18/993	CLUTCH LEVER ASSEMBLY (Ball-end)	...	...	...	...	...	...	...	A	A	A	A
38	18/752	Clutch lever (Ball-end)	...	...	...	...	...	...	...	A	A	A	A
39	16/069	Handlebar grip	...	...	...	...	...	...	...	1	1	1	1

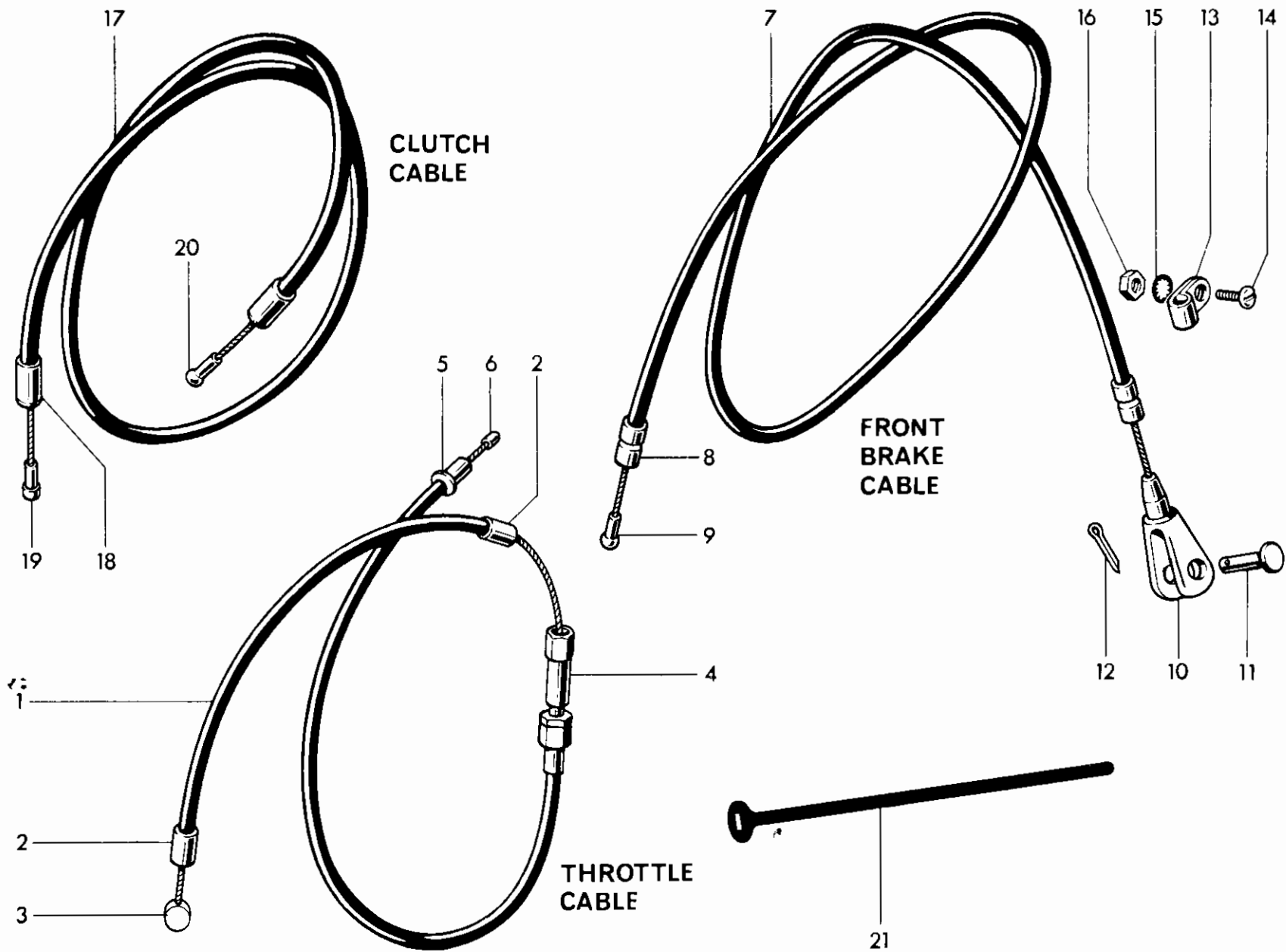


Fig. 25. CONTROL CABLES

## CONTROL CABLES

									3TA	5TA	T90	T100SS
1	D531	THROTTLE CABLE	...	...	...	...	...	...	1	1	-	-
1	D495	THROTTLE CABLE	...	...	...	...	...	...	-	-	1	1
1	D532	AMERICAN THROTTLE CABLE	...	...	...	...	...	...	A	A	-	-
2	D101	Ferrule	...	...	...	...	...	...	3	3	3	3
3	D83	Nipple	...	...	...	...	...	...	1	1	1	1
4	D104	Adjuster	...	...	...	...	...	...	1	1	1	1
5	6/132A	Ferrule	...	...	...	...	...	...	1	1	1	1
6	NS191	Nipple	...	...	...	...	...	...	1	1	1	1
7	D525	FRONT BRAKE CABLE	...	...	...	...	...	...	1	1	-	-
7	D419	FRONT BRAKE CABLE	...	...	...	...	...	...	-	-	1	1
7	D419	AMERICAN FRONT BRAKE CABLE	...	...	...	...	...	...	A	A	-	-
8	D103	Ferrule	...	...	...	...	...	...	2	2	2	2
9	D368	Nipple	...	...	...	...	...	...	1	1	1	1
10	W593	Fork end	...	...	...	...	...	...	1	1	1	1
11	WF32	Pivot pin...	...	...	...	...	...	...	1	1	1	1
12	$\frac{1}{16}$ in. x $\frac{3}{8}$ in.	Split pin ...	...	...	...	...	...	...	1	1	1	1
13	H1171	Clip	...	...	...	...	...	...	1	1	-	-
14	H916	Screw (9/32 in. U.H.)	...	...	...	...	...	...	1	1	-	-
15	GS299	Serrated washer	...	...	...	...	...	...	1	1	-	-
16	H745	Nut	...	...	...	...	...	...	1	1	-	-
17	D452	CLUTCH CABLE	...	...	...	...	...	...	1	1	1	1
17	D466	AMERICAN CLUTCH CABLE	...	...	...	...	...	...	A	A	A	A
18	D103	Ferrule	...	...	...	...	...	...	2	2	2	2
19	D368	Nipple	...	...	...	...	...	...	1	1	1	1
20	DS73	Nipple	...	...	...	...	...	...	1	1	1	1
21	XA69	Cable clip	...	...	...	...	...	...			as required	

# CARBURETTER COMPLETE REF. No. 1

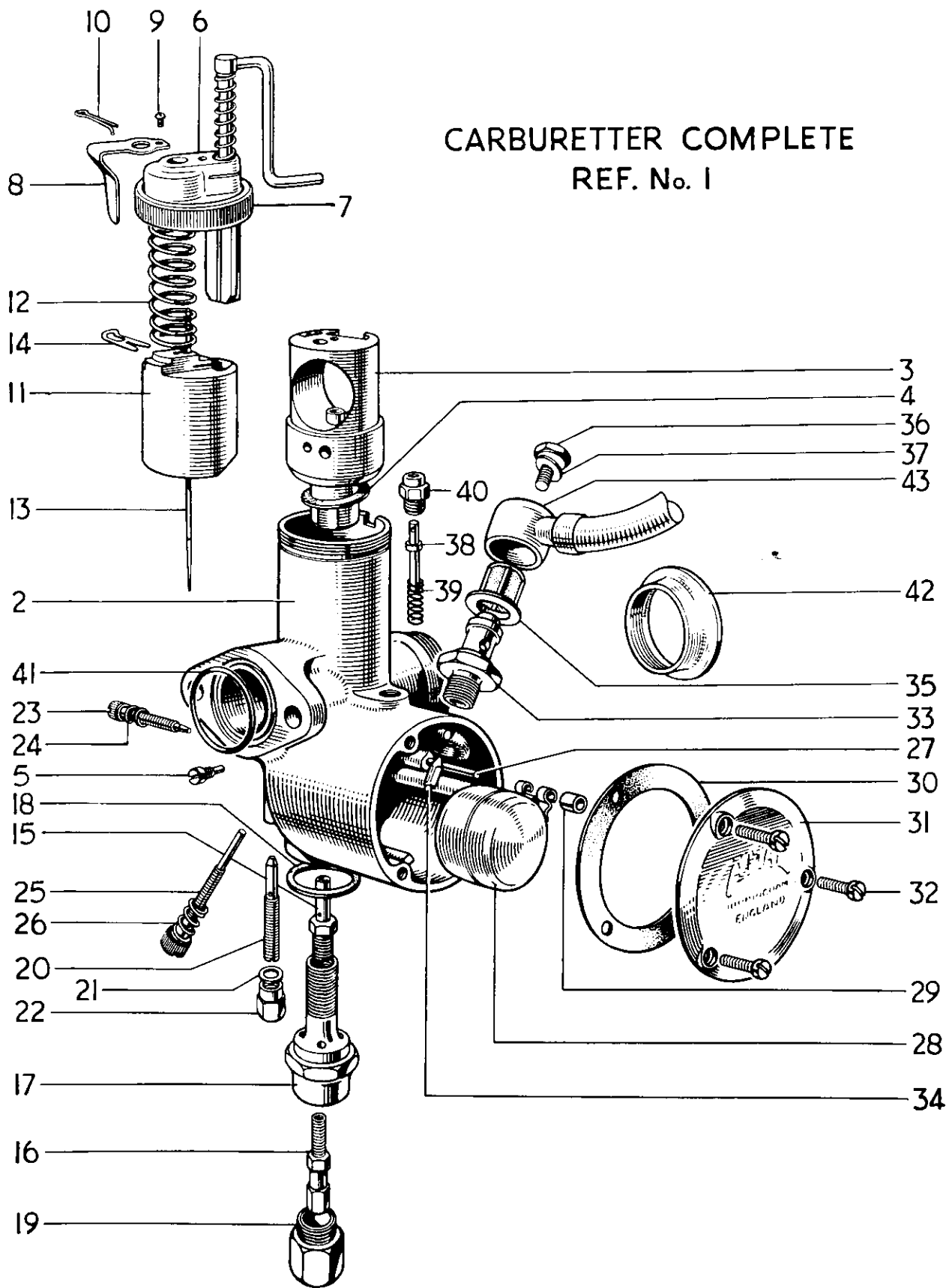


Fig. 26. CARBURETTER, 3TA AND 5TA





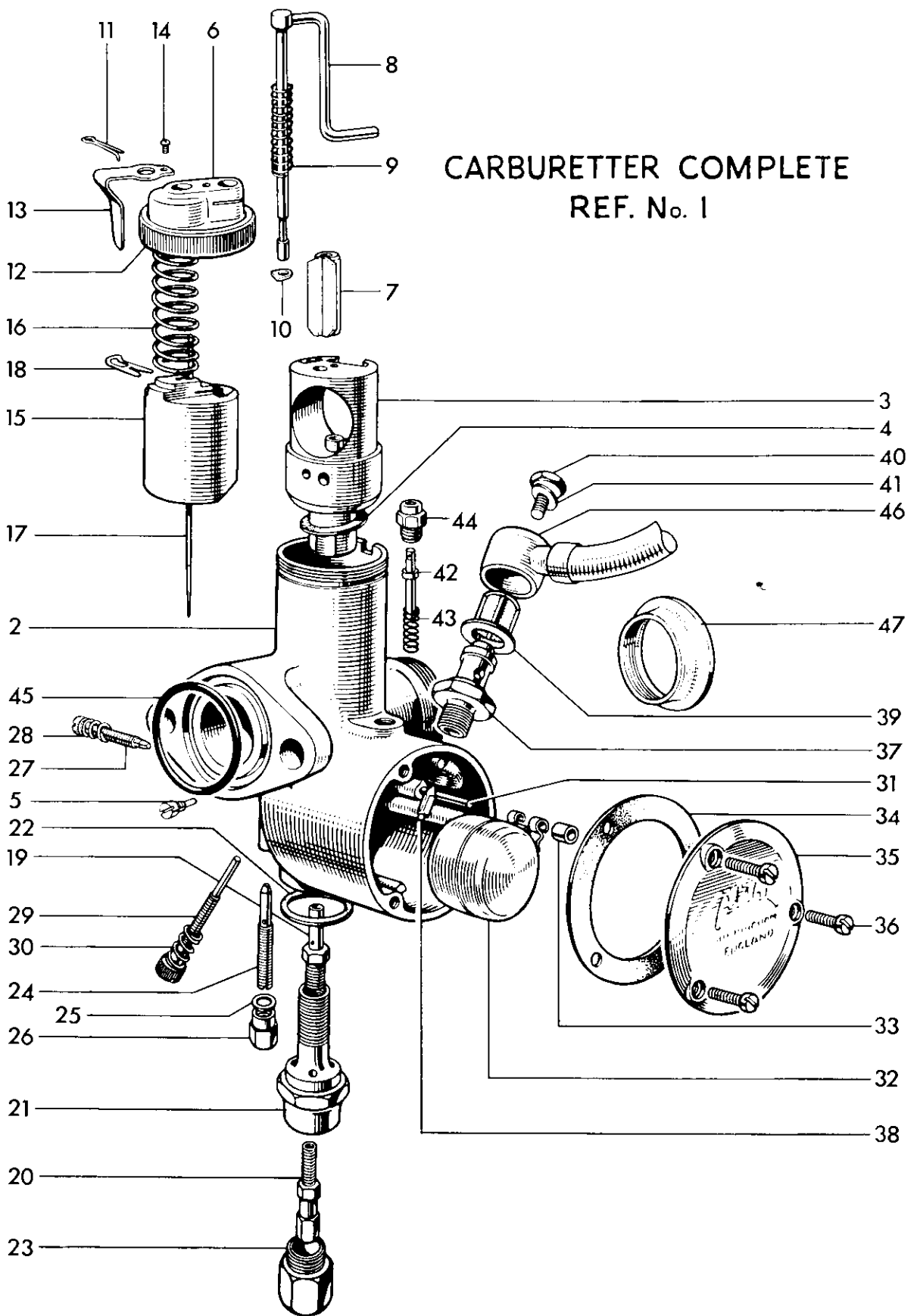


Fig. 27. CARBURETTER, T90 AND T100SS



HEADLAMP ASSEMBLY REF. N°1

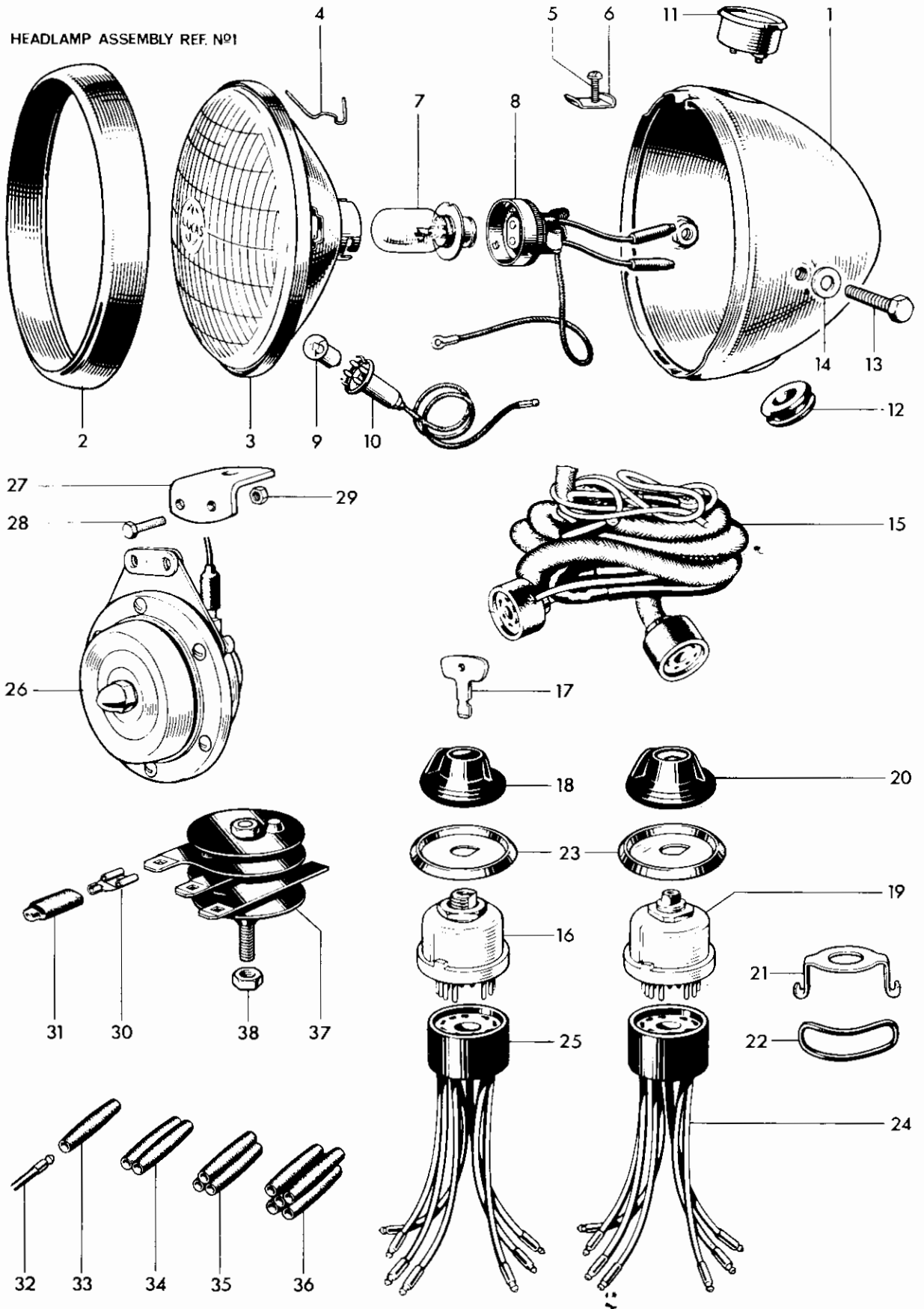


Fig. 28. T90 AND T100SS HEADLAMP, WIRING HARNESS AND SWITCHES

T90 AND T100SS HEADLAMP, WIRING HARNESS AND SWITCHES								T90	T100SS
1	58934	HEADLAMP COMPLETE (TYPE SS700P)	...	...	...	...	...	1	1
2	553248	Rim	...	...	...	...	...	1	1
3	516798	Light unit	...	...	...	...	...	1	1
4	504665	Fixing wire	...	...	...	...	...	6	6
5	144921	Screw	...	...	...	...	...	1	1
6	534296	Plate	...	...	...	...	...	1	1
7	312	Bulb (30/24W Vert. dip pre-focus)	...	...	...	...	...	1	1
8	554602	Main bulbholder	...	...	...	...	...	1	1
9	988	Bulb (3W. M.C.C.)	...	...	...	...	...	1	1
10	554710	Pilot bulbholder	...	...	...	...	...	1	1
11	36296	Ammeter (Type 2AR)	...	...	...	...	...	1	1
12	862217	Grommet	...	...	...	...	...	1	1
13	112201	Bolt	...	...	...	...	...	2	2
14	137499	Plain washer	...	...	...	...	...	2	2
15	54933182	Wiring harness	...	...	...	...	...	1	1
16	34427	IGNITION SWITCH c/w KEY, type 88SA	...	...	...	...	...	1	1
17	54336176	Ignition key	...	...	...	...	...	1	1
18	54336178	Ignition switch cover	...	...	...	...	...	1	1
19	34289	Lighting switch, type 88SA	...	...	...	...	...	1	1
20	54330934	Knob c/w screw	...	...	...	...	...	1	1
21	F5983	Bracket	...	...	...	...	...	2	2
22	F5988	Rubber band	...	...	...	...	...	2	2
23	54330576	Switch bezel plate	...	...	...	...	...	2	2
24	54930007	Replacement harness socket (lighting)	...	...	...	...	...	1	1
25	54930008	Replacement harness socket (ignition)	...	...	...	...	...	1	1
26	70163	Horn (Type 8H)	...	...	...	...	...	1	1
27	F5086	Horn bracket	...	...	...	...	...	1	1
28	T1076	Bolt ( $\frac{3}{8}$ in. U.H.)	...	...	...	...	...	2	2
29	F3799	Nut	...	...	...	...	...	2	2
30	54942078	Lucar connector	...	...	...	...	...	5	5
31	54190042	Insulating cover	...	...	...	...	...	5	5
32	900269	Snap connector terminal	...	...	...	...	...	A	A
33	900288	Single snap connector	...	...	...	...	...	A	A
34	850641	Double snap connector	...	...	...	...	...	A	A
35	850844	Triple snap connector	...	...	...	...	...	A	A
36	850832	Quintuple snap connector	...	...	...	...	...	A	A
37	49072	Rectifier, type 2DS506	...	...	...	...	...	1	1
38	F5338	Nut (156596)	...	...	...	...	...	1	1

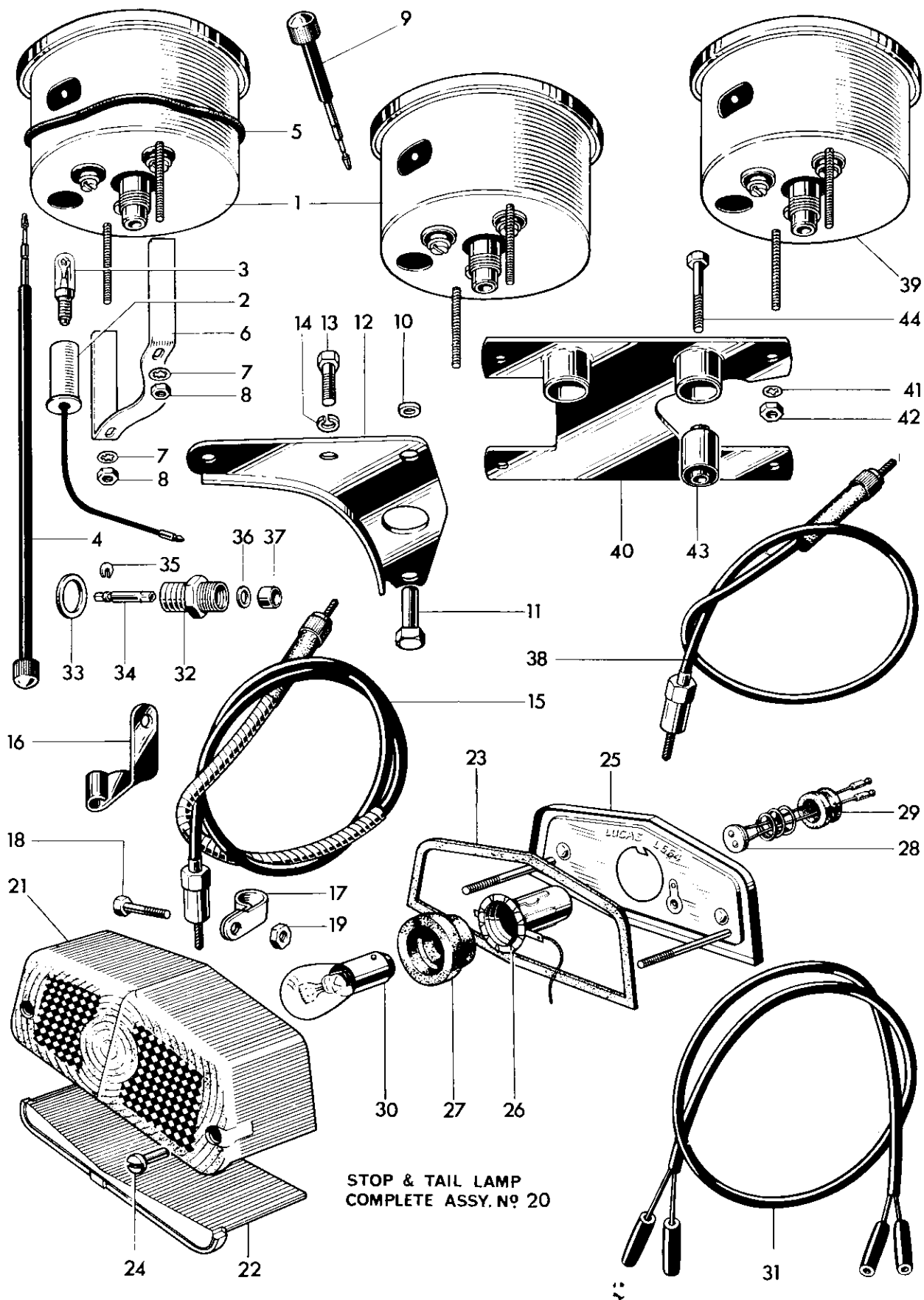


Fig. 29. SPEEDOMETER, TACHOMETER AND TAIL LAMP

### SPEEDOMETER, TACHOMETER AND TAIL LAMP

							3TA	5TA	T90	T100SS
1	SSM 5002/00	Speedometer, head, M.P.H.	...	...	...	...	1	1	-	-
1	SSM 5002/01	Speedometer head, K.P.H.	...	...	...	...	A	A	-	-
1	SSM 5001/00	Speedometer head, M.P.H.	...	...	...	...	-	-	1	1
1	SSM 5001/01	Speedometer head, K.P.H.	...	...	...	...	-	-	A	A
2	554734	Bulbholder	...	...	...	...	1	1	1	1
3	990	Bulb, 3W. M.E.S.	...	...	...	...	1	1	1	1
4	41-118-127-72	Trip control	...	...	...	...	1	1	-	-
5	31-753-778	Rubber ring	...	...	...	...	1	1	-	-
6	31-674-188-01	Fixing strap	...	...	...	...	1	1	-	-
7	30-283-014-11	Washer	...	...	...	...	2	2	-	-
8	30-277-023-11	Nut	...	...	...	...	2	2	-	-
9	41-148-203-10	Trip control	...	...	...	...	-	-	1	1
10	H1702	Distance piece	...	...	...	...	-	-	2	2
11	H1701	Sleeve nut	...	...	...	...	-	-	2	2
12	H1668	Bracket	...	...	...	...	-	-	1	1
13	DS57	Bolt ( $\frac{3}{8}$ in. U.H.)	...	...	...	...	-	-	2	2
14	S26-2	Spring washer	...	...	...	...	-	-	2	2
15	D490	Speedometer cable (58 ins. long)	...	...	...	...	1	1	1	1
16	H1698	Cable bracket	...	...	...	...	1	1	-	-
17	F3098	Clip	...	...	...	...	1	1	1	1
18	F3468	Bolt ( $2\frac{1}{8}$ in. U.H.)	...	...	...	...	-	-	1	1
19	S1-51	Nut	...	...	...	...	-	-	1	1
20	53432	STOP AND TAIL LAMP (Type 564)	...	...	...	...	1	1	1	1
21	573839	Lens...	...	...	...	...	1	1	1	1
22	575200	Window	...	...	...	...	1	1	1	1
23	575308	Lens seating gasket	...	...	...	...	1	1	1	1
24	575219	Sleeve nut	...	...	...	...	2	2	2	2
25	576002	Base assembly	...	...	...	...	1	1	1	1
26	575209	Bulbholder	...	...	...	...	1	1	1	1
27	575207	Grommet	...	...	...	...	1	1	1	1
28	573828	Contact assembly	...	...	...	...	1	1	1	1
29	573825	Grommet	...	...	...	...	1	1	1	1
30	384	Bulb (6/18W offset pin)	...	...	...	...	1	1	1	1
31	838604	Stop and tail lamp lead	...	...	...	...	1	1	1	1
32	E5731	Adaptor	...	...	...	...	-	-	1	1
33	T1257	Fibre washer	...	...	...	...	-	-	1	1
34	D493	Spade	...	...	...	...	-	-	1	1
35	D494	Circlip	...	...	...	...	-	-	1	1
36	E4803	"O" ring	...	...	...	...	-	-	1	1
37	E5733	Nylon bush	...	...	...	...	-	-	1	1
38	D529	Tachometer cable ( $34\frac{1}{2}$ in. long)	...	...	...	...	-	-	1	1
39	R5M 3001/02	Tachometer	...	...	...	...	-	-	1	1
40	H1596	Mounting bracket	...	...	...	...	-	-	1	1
41	30-282-014-11	Washer	...	...	...	...	-	-	4	4
42	30-276-037-11	Nut	...	...	...	...	-	-	4	4
43	H1087	Metalastik bush	...	...	...	...	-	-	2	2
44	H1086	Bolt ( $1\frac{3}{8}$ in. U.H.)	...	...	...	...	-	-	2	2